

# INSTALLATION INSTRUCTIONS FOR 10149-XXX

## For CHANDELIER

### READ AND SAVE THESE INSTRUCTIONS

#### WARNING! SHUT POWER OFF AT FUSE OR CIRCUIT BREAKER

#### AVERTISSEMENT! COUPER LE COURANT AU NIVEAU DES FUSIBLES OU DO DISJONCTEU

#### ASSEMBLING THE FIXTURE (Fig.1)

1. Shut off power at the fuse box or circuit breaker box and remove the old fixture including the mounting hardware.
2. Carefully unpack your new fixture and lay out all the parts in a clear area. Take care not to misplace any small parts necessary for installation.
3. Install each rod (L) onto fixture unit as assemblies (J1/J2/J3/J4/J5).
4. Fixture includes fifteen 12" and five 6" rods. Determine desired hanging height and ensure all assemblies (J1/J2/J3/J4/J5) to extend same rod length with rods (I1/I2) (Min 6"). Feed the fixture wires carefully through each rod and thread onto the back plate (G) as remarks (J1/J2/J3/J4/J5). Carefully cut off the extra wires if necessary.
5. Fix each decorative arm (K) to fixture unit (J1/J2/J3/J4/J5) with screw (M) by wrench (N) provided.
6. Connect all black wires from fixture unit (J1/J2/J3/J4/J5) to black extension wires with P4 wire nut; and connect all white wires from fixture unit (J1/J2/J3/J4/J5) to white extension wires with P4 wire nut. Ensure all wire connectors are securely fastened as shown in Fig.3
7. Position the mounting plate (A) onto the ceiling and mark the location of the four drywall anchors (D). Pre-drill the holes for the drywall anchors (D) and insert the drywall anchors (D) into the ceiling.
8. Attach the mounting plate (A) to the junction box (not included) using mounting screws (B) (Size: 8-32\*1/2"L). The side of the mounting plate (A) marked "GND" must face out.
9. Place the wood screws (E) through the mounting plate (A) and lock them into the drywall anchors (D) to secure the mounting plate (A) to the ceiling.
10. The support cable is provided to support the weight of the fixture while wiring. Attach hook (Z) on the end of support cable into a slot located on the mounting plate (A). Carefully allow the support cable to support the weight of the fixture while wiring.

#### CONNECTING THE WIRES (Fig.2)

11. Connect the electrical wires as shown in Fig.2, making sure that all wire connectors are secured. If your junction box has a ground wire (green or bare copper), connect the fixture's ground wire to it. Otherwise, connect the fixture's ground wire directly to the mounting plate (A) using the green screw (C) provided.
12. Tuck wire connectors neatly into the junction box.

#### COMPLETING THE INSTALLATION

13. Align the back plate (G) onto mounting plate (A) and secure with screws (F).
14. Install (9) nine candelabra base bulbs up to 60 watts each or CFL or LED equivalent, in accordance with the fixture specification **(DO NOT EXCEED THE MAXIMUM WATTAGE RATING!) (NE PAS DEPASSER LA PUISSANCE NOMINALE MAXIMALE!)**
15. Carefully secure the glass (P) onto the socket (O). Don't too tighten.

Your installation is now complete. Return power to the junction box and test the fixture.

**IMPORTANT: FIXTURE SHOULD BE INSTALLED BY A QUALIFIED ELECTRICIAN TO ENSURE PROPER WIRING AND INSTALLATION.**

Fig.1

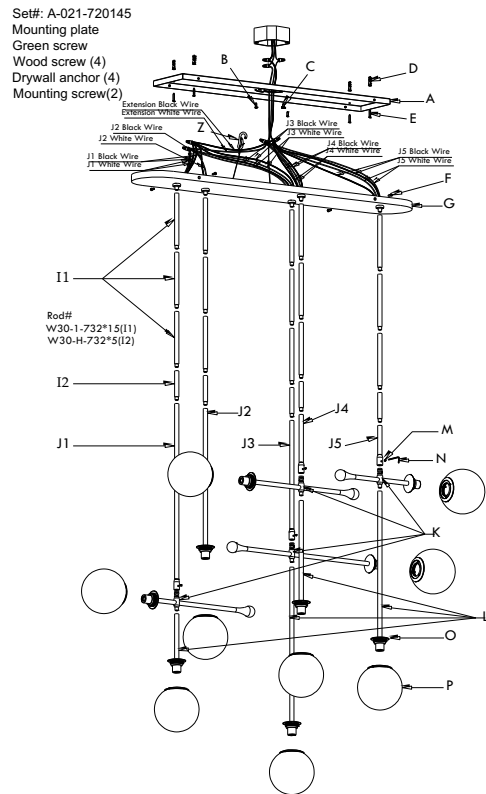


Fig.2

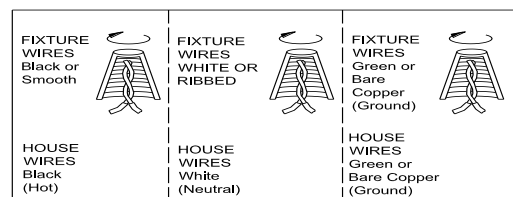


Fig.3

