

INSTALLATION INSTRUCTIONS FOR 10153-XXX-L

For LED SCONCE WALL READ AND SAVE THESE INSTRUCTIONS

WARNING! SHUT POWER OFF AT FUSE OR CIRCUIT BREAKER
AVERTISSEMENT! COUPER LE COURANT AU NIVEAU DES FUSIBLES OU DO DISJONCTEU

MOUNTING THE FIXTURE (Fig. 1)

1. Shut off power at the fuse box or circuit breaker box. If necessary remove the existing fixture and mounting hardware from the wall.
2. Carefully remove the new fixture from the carton and check that all parts are included as shown in the illustration.
3. Attach the mounting plate (A) to the junction box using mounting screw (C) (Size: 8-32*1/2"L). The side of the mounting plate marked "GND" must face out.
4. Put on the glass (I) to the fixture (E) and secure with screws (F) and washer. Don't too tighten.

CONNECTION THE WIRES (Fig. 2)

5. Connect the electrical wires as shown in Fig.2, making sure that all wire connectors are secured, Push conductors into junction box. If your junction box has a ground wire (green or bare copper), connect the fixture's ground wire to it. Otherwise, connect the fixture's ground wire directly to the mounting plate using the green screw (B) provided. Tuck wire connectors neatly into the junction box.

FINISHING THE INSTALLATION (Fig. 1)

6. Align the fixture (E) over the mounting plate (A) and secure with screws (D).

Your installation is now complete. Return power to the outlet box and test the fixture.

CAUTION /ATTENTION: When handling the fixture, do not apply pressure to the LEDs. Hold the fixture by the base or fixture body (E) only.

Replacing LED module (Fig. 3)

The LED module can be replaced by a qualified electrician without cutting of wire and without damage to any decorative element to which the fixture is attached. See installation steps for more details (Fig. 3)

Warning: Turn off power at the circuit breaker before replacing LED module.

- a. Loosen screws (D), then remove the fixture (E) and disconnect wire connectors.
- b. Loosen screws (F) and remove the glass (G).
- c. Loosen screws (H) and remove the LED module (I).
- d. Reverse steps a-c for installing the new LED module.

Note: The LED module should be provided by a specified supplier.

IMPORTANT: Fixture should be installed by a qualified electrician to ensure proper wiring and installation.

Dimmable with ELV and/or LED compatible wall dimmer switches.

Fig.1

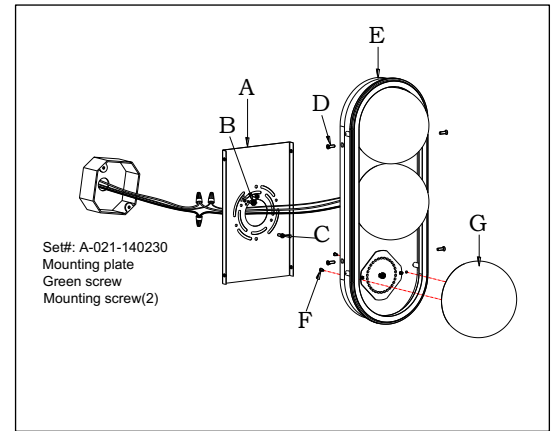


Fig. 2

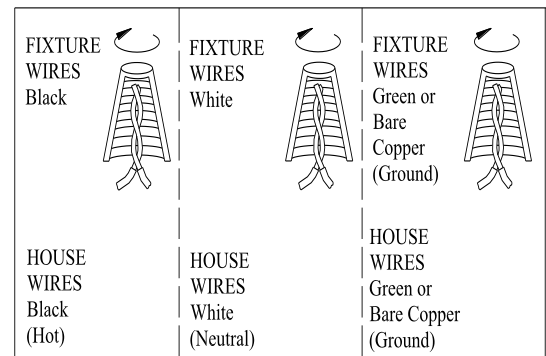


Fig.3

