

INSTALLATION INSTRUCTIONS

Item#1047-677/701 (New. 12/24/2019)

READ AND SAVE THESE INSTRUCTIONS

WARNING! SHUT POWER OFF AT FUSE OR CIRCUIT BREAKER.
AVERTISSEMENT! COUPER LE COURANT AU NIVEAU DES FUSIBLES OU DU DISJONCTEUR.

ASSEMBLING THE FIXTURE (Fig. 1)

1. Shut off the power at the fuse box or circuit breaker. If necessary, remove old fixture, including mounting hardware.
2. Carefully remove the fixture from the carton and check that all parts are included as shown in the illustration.
3. Attach fixture loop (A) by screwing to the nipple (B).

HANGING THE FIXTURE (Fig. 2)

4. Thread the nipple into the ceiling loop until snug.
5. Thread the other end of the nipple into the crossbar until snug. Note: The length of the nipple into the crossbar may be adjusted if necessary.
6. Use the hex nuts to secure the nipple into the crossbar.
7. Take this crossbar assembly and mount it to ceiling outlet box with mounting screws (Size: #8-32N*L1"). The side of crossbar marked with "GND" must face out.
8. Determine the desired hanging height and use a pair of proper chain pliers to remove and discard the excess chain.
9. Open one end of chain and attach it to fixture loop and close the chain. Slip the lock collar and canopy over the chain and allow them to rest on the fixture body. Open the other end of the chain and attach it to ceiling loop and close the chain.
10. Carefully lace the fixture's wires through the loop and nipple assembly.

CONNECTING THE WIRE (Fig. 3)

11. At this point, connect the electrical wire as shown in figure 3, making sure that all wire connectors are secured. If your outlet has a ground wire (green or bare copper), connect the fixtures ground wire to it. Otherwise, connect the fixture ground wire directly to the crossbar using the Green Screw provided.
12. Tuck these wire connections neatly into the ceiling junction box and then raise the canopy all the way to the ceiling. Raise the Loop Collar thread onto the ceiling loop protruding through canopy.

FINISHING THE FIXTURE (Fig.1)

13. Place the candle covers (D) over the sockets (C).
14. Install (5) five candelabra base bulbs (E) up to 60 watts each or CFL or LED equivalent (not included) in accordance with the fixture specification — **DO NOT EXCEED THE MAXIMUM WATTAGE RATING! (NE PAS DEPASSER LA PUISSANCE NOMINALE MAXIMALE!)**.

Your installation is now complete. Return power to the junction box and test the fixture.

Note: Illustration (Fig. 1) on this manual is for installation purposes only. It may or may not be identical to the fixture purchased.

IMPORTANT: FIXTURE SHOULD BE INSTALLED BY A QUALIFIED ELECTRICIAN TO ENSURE PROPER WIRING AND INSTALLATION.

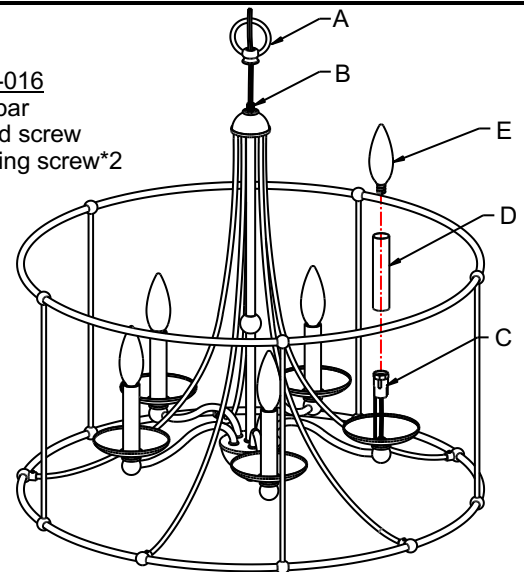


Notice: It is important to use proper chain pliers (not included) To OPEN and CLOSE the chain included with this fixture. Do not open them with other tools that may twist or stress the chain links. It is important to use proper chain pliers like the ones shown in the diagram.

Fig. 1

Set# A-016

- Crossbar
- Ground screw
- Mounting screw*2



Candle cover# CCV21103P-66/701

Fig. 2

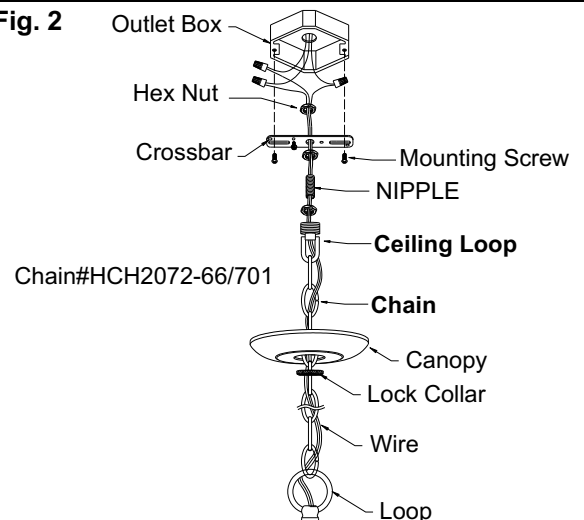


Fig. 3

