

INSTALLATION INSTRUCTIONS

Item# 14014-732

READ AND SAVE THESE INSTRUCTIONS

WARNING! SHUT POWER OFF AT FUSE OR CIRCUIT BREAKER.

AVERTISSEMENT! COUPER LE COURANT AU NIVEAU DES FUSIBLES OU DU DISJONCTEUR.

1. Shut off power at the fuse box or circuit breaker box and remove the old fixture including the mounting hardware.

2. Carefully unpack your new fixture and lay out all the parts in a clean area. Take care not to misplace any small parts necessary for installation.

ASSEMBLING THE FIXTURE (Fig.1)

3. Thread two mounting screws (C) into mounting plate (B) spaced the same distance apart as the holes on fixture body (F). (You can adjust the length with hex nut (D) if necessary.)

4. Attach mounting plate (B) to junction box (Not included) using outlet box screws(A) (Size:#8-32N*L1").The side of the mounting plate (B) marked "GND" must face out.

CONNECTING THE WIRES (Fig. 2)

5. Connect electrical wires as shown in Fig.2, making sure that all wire connectors are secured. If your junction box has a ground wire (green or bare copper), connect the fixture's ground wire to it. Otherwise, connect the ground wire directly to the mounting plate (B) using the green screw (E) provided.

6. Tuck wire connectors neatly into the junction box.

COMPLETING THE INSTALLATION (Fig. 1)

7. Placing the fixture body (F) to the ceiling by aligning the protruding mounting screw(C) all the way through the mounting plate(B) and tighten the fixture body (F) using 2 finials(G). Fasten the fixture until held firmly against the ceiling.

8. Install (4) four candelabra base bulbs (I) up to 40 watts each or CFL or LED equivalent (not included) in accordance with the fixture specification.—

DO NOT EXCEED THE MAXIMUM WATTAGE RATING! (NE PAS DEPASSER LA PUISSANCE NOMINALE MAXIMALE!).

9. Raise up the glass shade (K) and glass shade (L) over the coupling rod (J) and secure with plastic washer (M) and lock nut (N). Do not over tighten.

Your installation is now complete. Return power to the junction box and test the fixture.

Note: Illustration (Fig. 1) on this manual is for installation purposes only. It may or may not be identical to the fixture purchased.

IMPORTANT: FIXTURE SHOULD BE INSTALLED BY A QUALIFIED ELECTRICIAN TO ENSURE PROPER WIRING AND INSTALLATION.

Min90°C supply conductors

Fig.1

Set#A-020

-Mounting plate

-Ground Screw

-Outlet Box Screw*2

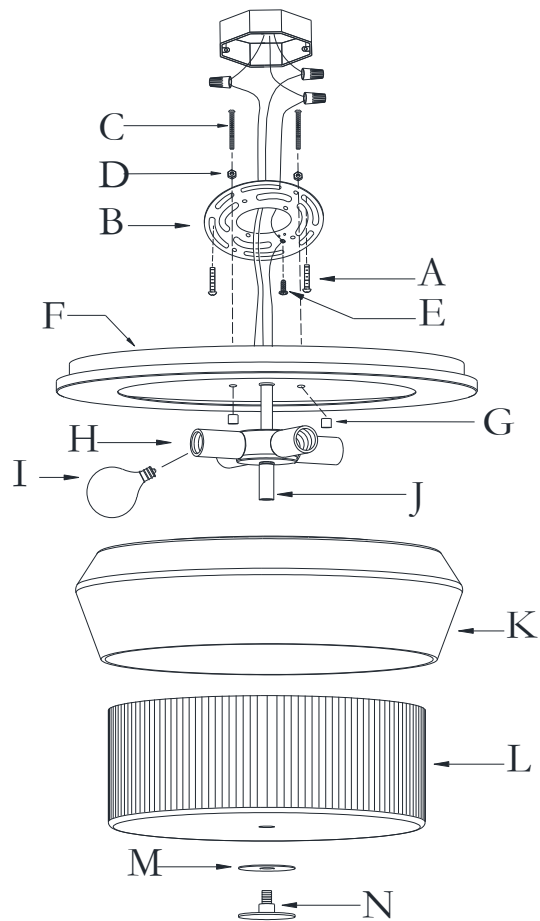


Fig. 2

FIXTURE WIRES
Black or
Smooth



HOUSE WIRES
Black
(Hot)

FIXTURE WIRES
White or
Ribbed



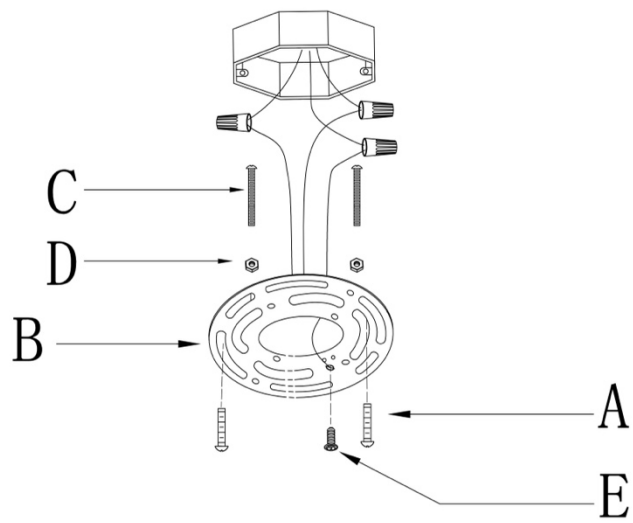
HOUSE WIRES
White
(Neutral)

FIXTURE WIRES
Bare
Copper
(Ground)



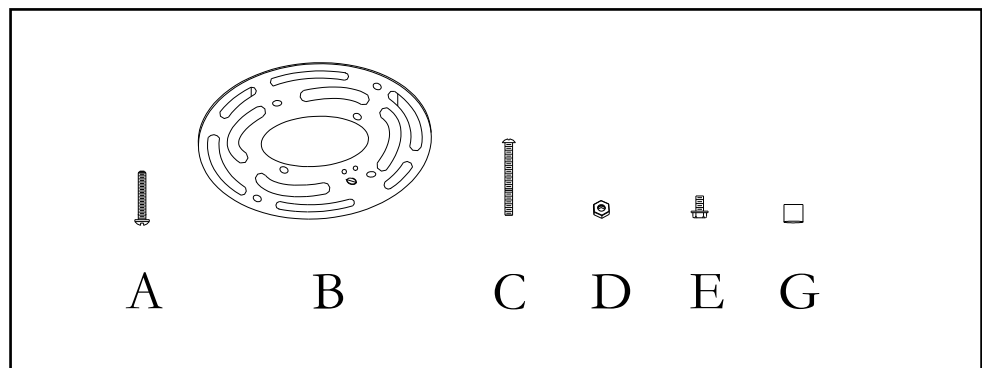
HOUSE WIRES
Green
(Ground)

Fig.3



a. Hardware Bag:

- A. Outlet box screw*2
- B. Mounting plate*1
- C. Mounting screw *2
- D. Hex nut*2
- E. Ground screw*1
- G. Final*2



b. Hardware Bag:

- K. Glass shade*1
- L. Glass shade*1

