

INSTALLATION INSTRUCTIONS

Item# 14015-732

READ AND SAVE THESE INSTRUCTIONS

WARNING! SHUT POWER OFF AT FUSE OR CIRCUIT BREAKER.

AVERTISSEMENT! COUPER LE COURANT AU NIVEAU DES FUSIBLES OU DU DISJONCTEUR.

1. Shut off power at the fuse box or circuit breaker box and remove the old fixture including the mounting hardware.

2. Carefully unpack your new fixture and lay out all the parts in a clean area. Take care not to misplace any small parts necessary for installation.

ASSEMBLING THE FIXTURE (Fig.1)

3. Determine desired hanging height and thread rods (J/I) on fixture body (K). Pass wires carefully through each rod as you assemble.

4. Push fixture wires carefully through the swivel (G), screw collar ring (H), canopy (F) and nipple (C) of crossbar assembly. Thread swivel (G) to rod (J/I).

5. Slip screw collar ring (H) and canopy (F) over swivel (G) and allow them to rest on rod (J/I). Thread swivel (G) to nipple (C) of crossbar assembly.

6. Attach crossbar assembly to junction box (not included) using junction box screw (E). The side of crossbar (A) marked "GND" must face out. The length of nipple (C) into crossbar (A) may be adjusted if necessary. Then tighten with lock nuts (D) provided. Push fixture wires through nipple (C) inside junction box.

CONNECTING THE WIRES (Fig. 2)

7. Connect electrical wires as shown in Fig.2, making sure that all wire connectors are secured. If your junction box has a ground wire (green or bare copper), connect the fixture's ground wire to it. Otherwise, connect the ground wire directly to the crossbar (A) using the green screw (B) provided.

8. Tuck wire connectors neatly into the junction box.

COMPLETING THE INSTALLATION (Fig. 1)

9. Position canopy (F) up against ceiling and thread screw collar ring (H) to secure fixture to ceiling.

10. Screw glass shade (L) and glass shade (M) over the socket in fixture body (K) by using socket ring (N). Do not over tighten.

11. Install (1) one medium base bulb (O) up to 60 watts each or CFL or LED equivalent (not included) in accordance with the fixture specification.

— **DO NOT EXCEED THE MAXIMUM WATTAGE RATING! (NE PAS DEPASSER LA PUISSANCE NOMINALE MAXIMALE!)**

Your installation is now complete. Return power to the junction box and test the fixture.

Note: Illustration (Fig. 1) on this manual is for installation purposes only. It may or may not be identical to the fixture purchased.

IMPORTANT: FIXTURE SHOULD BE INSTALLED BY A QUALIFIED ELECTRICIAN TO ENSURE PROPER WIRING AND INSTALLATION.

Fig.1

Set#A-016

-Crossbar

-Ground Screw

-Junction Box Screw*2

Rod#W32-H-732(I-6")

W32-1-732 X 3 (J-12")

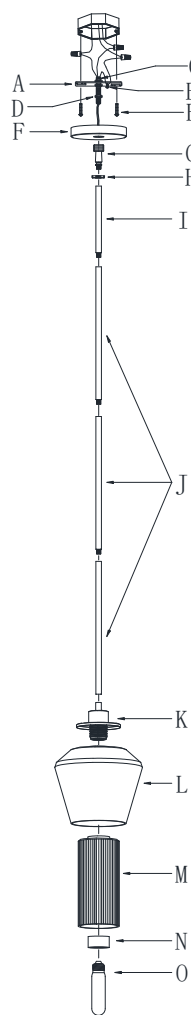


Fig. 2

FIXTURE WIRES
Black or
Smooth



HOUSE WIRES
Black
(Hot)

FIXTURE WIRES
White or
Ribbed



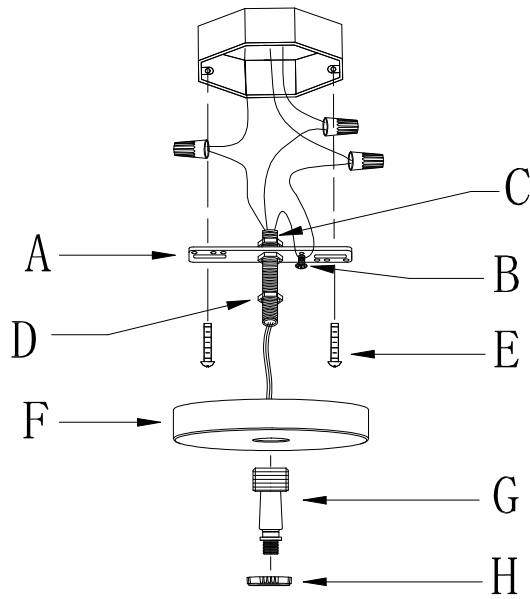
HOUSE WIRES
White
(Neutral)

FIXTURE WIRES
Bare
Copper
(Ground)



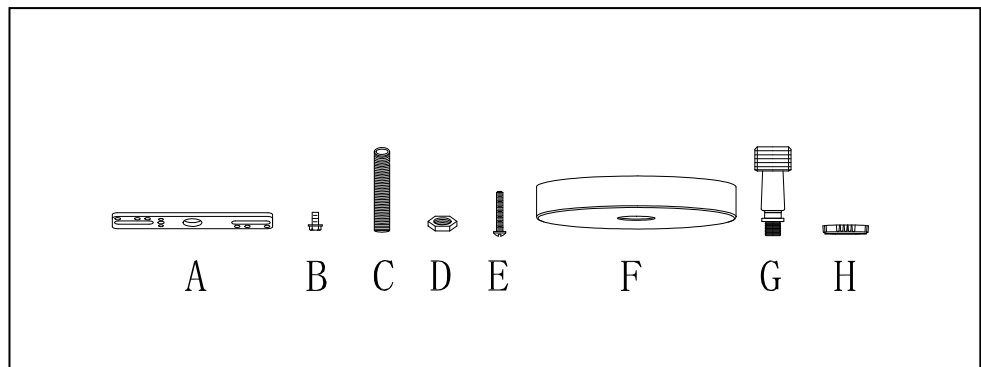
HOUSE WIRES
Green
(Ground)

Fig.3



a. Hardware Bag:

- A. Crossbar*1
- B. Ground screw*1
- C. Nipple *1
- D. Lock nut*3
- E. Junction Box Screw*2
- F. Canopy *1
- G. Swivel*1
- H. Screw collar ring*1



b. Hardware Bag:

- J. ROD 12"*3
- I. ROD 6"*1

