

# INSTALLATION INSTRUCTIONS

Item# 16013X-XXX-L

## READ AND SAVE THESE INSTRUCTIONS

**WARNING! SHUT POWER OFF AT FUSE OR CIRCUIT BREAKER.**  
**AVERTISSEMENT! COUPER LE COURANT AU NIVEAU DES FUSIBLES OU DU DISJONCTEUR.**

### HANGING THE FIXTURE (Fig. 1)

1. Shut off power at the fuse box or circuit breaker box and remove the old fixture including the mounting hardware.
2. Carefully unpack your new fixture and lay out all the parts in a clear area. Take care not to misplace any small parts necessary for installation.
3. Remove the screw (H) and plastic Washer (I) from the frame (J), place the glass (K) into the frame (J), insert them into the side panels(G). align the holes, then secure with the screw (H) and plastic Washer (I), Do not over tighten.
4. Position mounting plate (B) on the wall and mark the location of the two plastic anchors (A). Pre-drill the holes for the plastic anchors (A). Then insert the plastic anchors (A) into the wall.
5. Attach the mounting plate (B) to the outlet box using mounting screws (E) (Size: #8-32N\*L1"). The side of the mounting plate marked "GND" must face out
6. Place the wood screws (C) through the holes of the mounting plate (B) and into the plastic anchors (A) to secure the mounting plate (B) to the wall.

### CONNECTING THE WIRES (Fig. 2)

7. Connect the electrical wires as shown in (Fig.2), making sure that all wire connectors are secured. If your junction box has a ground wire (green or bare copper), connect the fixture ground wire to it. After the wires are connected, tuck them carefully inside the junction box.

### FINISH THE INSTALLATION (Fig. 1)

8. Place the back plate (D) over the mounting plate (B), and secure with the long screws (F).
9. Place the side panel (G) and frame (J) over the back plate (D), and secure with the finial (L).

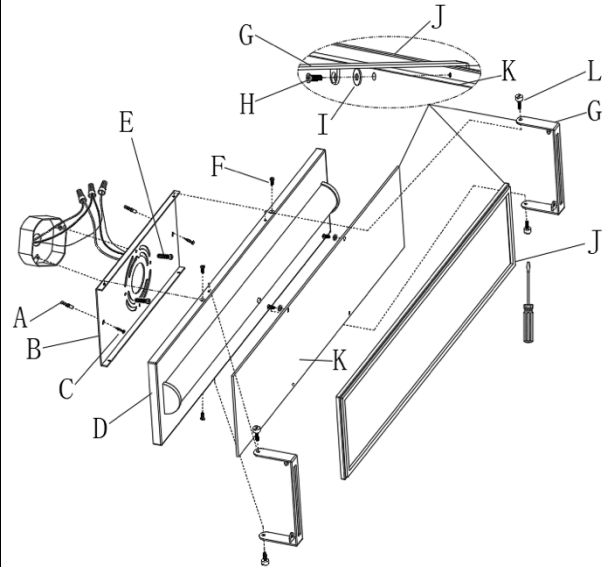
### Replacing LED module (Fig.3)

The LED module can be replaced by a qualified electrician without cutting of wire and without damage to any decorative element to which the fixture is attached. See installation steps for more details (Fig 3.)

- a. Shut off the power.
  - b. Loosen the finial (L), then remove the side panel (G) and frame (J) and place them in a safe place.
  - c. To remove the fixture from the wall: loosen the long screws (F) and remove the wire connectors (E). Then place the fixture on a clear flat surface.
  - d. Loosen anchor screws (P) and remove end caps(W), unscrew the screw (X) & hex nut to remove the PC cover. Then loosen the screws (V) & hex nuts, remove the LED module (S) from the back plate (D).
  - e. Reverse steps b-d for installing the new LED module.
- Your installation is complete now. Return power to the junction box and test the fixture.

**Note: Illustration (Fig.1) on this manual is for installation purposes only. It may or may not be identical to the fixture purchased.**  
**IMPORTANT: FIXTURE SHOULD BE INSTALLED BY A QUALIFIED ELECTRICIAN TO ENSURE PROPER WIRING AND INSTALLATION.**

Fig. 1



Set# A-022

-Mounting Plate

-Ground Screw

-Mounting Screw\*4

Fig. 2

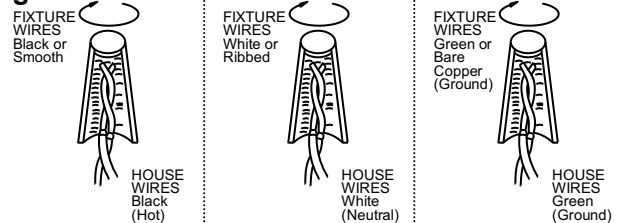


Fig. 3

