

# INSTALLATION INSTRUCTIONS

Item# 16202-876

READ AND SAVE THESE INSTRUCTIONS

**WARNING! SHUT POWER OFF AT FUSE OR CIRCUIT BREAKER.**  
**VERTISEMENT! COUPER LE COURANT AU NIVEAU DES FUSIBLES OU DU DISJONCTEUR.**

## ASSEMBLING THE FIXTURE (Fig.1)

1. Shut off power at the fuse box or circuit breaker box and remove the old fixture including the mounting hardware.
2. Carefully unpack your new fixture and lay out all the parts in a clean area. Ensure not to misplace any small part necessary for installation.

## MOUNTING THE FIXTURE

3. To begin assembly, removing the mounting plate (A) from the back plate (E) by removing screw (D) located at bottom of the back plate (E).
4. Attach mounting plate (A) to the junction box (JB) (*not provided*) with junction box screws (B). The side of the mounting plate (A) with "GND" marked on it and two convex points must face out.

## CONNECTING THE WIRE (Fig.2)

5. Connect the electrical wire as shown in Fig. 2, making sure that all the wire connectors are secured. If your junction box has a ground wire (green, or bare copper), connect fixture's ground wire to it. Otherwise, connect fixture's ground wire directly to mounting plate (A) using green screw provided.
6. Tuck wire connections neatly into junction box (JB).

## FINISHING THE FIXTURE (Fig. 1)

7. To mount the fixture to the wall, attach back plate (E) to mounting plate (A), align mounting rod (F) of the back plate (E) with holes of mounting plate (A), then secure with screw (D).
8. Install (2) two candelabra base bulb up to 60 watts or CFL or LED equivalent (not included) in accordance with the fixture Specifications.

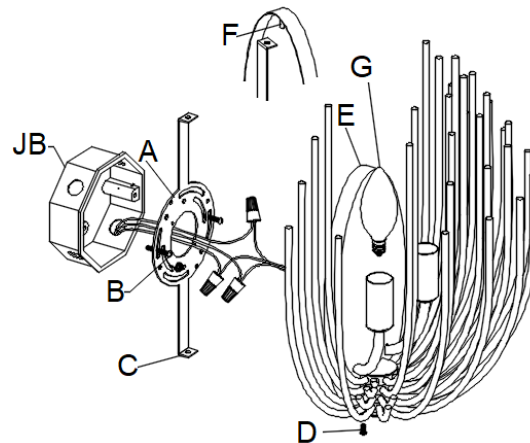
**DO NOT EXCEED THE MAXIMUM WATTAGE RATING!**  
**(NE PAS DEPASSER LA PUISSANCE NOMINALE MAXIMALE!)**

Your installation is now complete. You can now turn the power ON and test the fixture.

**Note: Illustration (Fig. 1) on this manual is for installation purposes only. It may or may not be identical to the fixture purchased.**

**FIG. 1**

Set # A-022-245  
-Mounting Plate  
-Junction Box Screw x 2  
-Ground Screw



**Fig. 2**

