

INSTALLATION INSTRUCTIONS

Item# 1971-138

READ AND SAVE THESE INSTRUCTIONS

WARNING! SHUT POWER OFF AT FUSE OR CIRCUIT BREAKER .
AVERTISSEMENT! COUPER LE COURANT AU NIVEAU DES FUSIBLES OU DU DISJONCTEUR.

MOUNTING THE BACKPLATE (Fig.1)

1. Shut off the power at the circuit breaker and remove old fixture, including the mounting hardware.
2. Carefully unpack your new fixture and lay out all the parts on a clear area. Take care not to lose any small parts necessary for installation.
3. Thread hex nut (C) onto all thread (E). Insert the lock washer(B) and thread the all thread (E) into the crossbar(A) with hex nut (C). The length of all thread (E) into crossbar (A) may be adjusted if necessary.
4. Take this crossbar assembly (A) and mount it to outlet box (Not provided) with mounting screws (D) (Size: #8-32N*L0.6"). The side of crossbar marked with "GND" must face out.

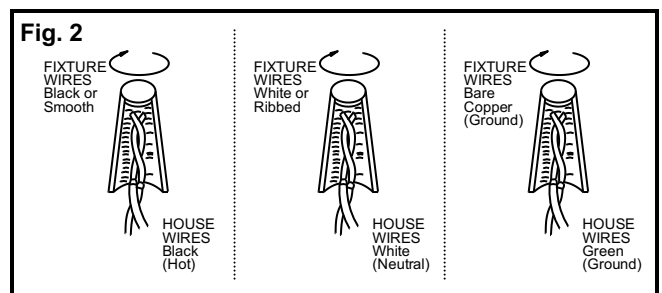
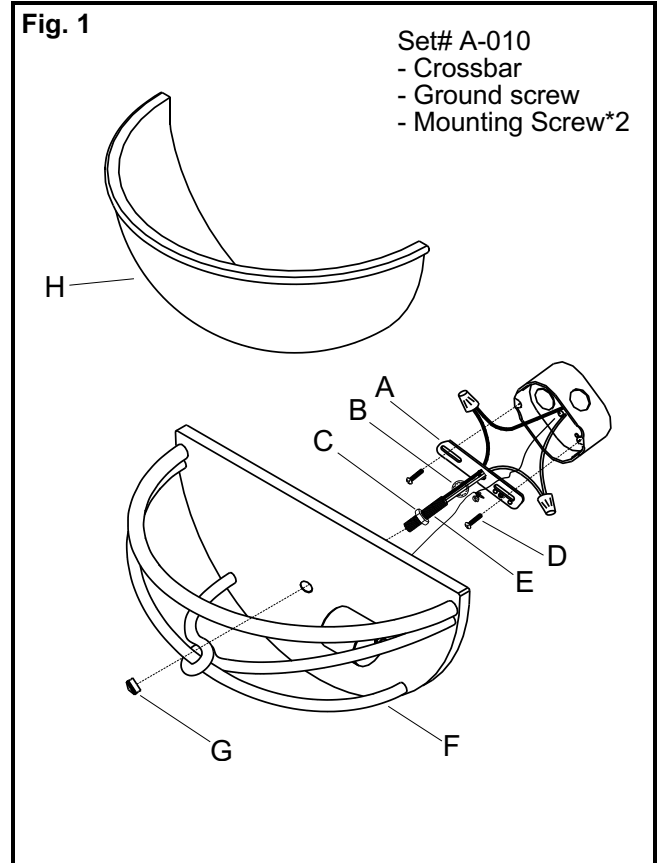
CONNECTING THE WIRES (Fig. 2)

5. Connect the electrical wires as shown in (Fig.2) using wire connectors to secure the connections. If your outlet box has a ground wired (green or bare copper), connect fixture's ground wire to it. Otherwise, connect fixture's ground wire directly to the crossbar using the green screw provided.

MOUNTING FIXTURE AND SHADE (Fig.1)

6. After the wires are connected, carefully tuck them inside the junction box as you place the fixture body (F) over the all thread (E). Secure the fixture body (F) to the wall using nut (G).
7. Slide glass shade (H) into the fixture body (F).
8. Install (1) one medium base up to 100 watts or CFL or LED equivalent (not included), in accordance with the fixture specification. **(DO NOT EXCEED THE MAXIMUM WATTAGE RATING) (NE PAS DEPASSER LA PUISSANCE NOMINALE MAXIMALE!)**

Your installation is now complete. Return power to the junction box and test the fixture.



MIN 90°C SUPPLY CONDUCTORS



american
lighting
association