

# INSTALLATION INSTRUCTION

Item# 2250-XX

## READ AND SAVE THESE INSTRUCTIONS

**WARNING! SHUT POWER OFF AT FUSE OR CIRCUIT BREAKER.**

**AVERTISSEMENT! COUPER LE COURANT AU NIVEAU DES FUSIBLES OU DU DISJONCTEUR.**

### PREPARATION

1. Shut off power at the fuse box or circuit breaker box and remove the old fixture including the mounting hardware.
2. Carefully unpack your new fixture and lay out all the parts in a clean area. Take care not to misplace any small parts necessary for installation.

### ASSEMBLING THE FIXTURE (Fig.1)

**NOTE: For a safe and secure installation, the fixture must be installed by means of support that is independent of the junction box.**

**(Note: For heavy fixture, hickey and cable are provided, other required hardware to be supplied by installer)**

3. Provide a 1/4" IPS pipe with one end securely mounted to a beam or a structural member. The other end should protrude through the center of the outlet box as shown. Secure hickey onto the 1/4" IPS pipe (not provided) with hex nut.
4. Assemble the ceiling loop, all thread, washer, hex nuts onto hickey and adjust the overall length to allow the lock collar to hold the canopy flush to the ceiling. When the adjustments have been completed, secure the washer and hex nuts provided as shown.

### HANGING THE FIXTURE (Fig.1&Fig.2)

5. Determine desired hanging height and thread rods (A/B) on fixture frame (C). Pass wires carefully through each rod as you assemble. Secure fixture loop onto all thread of rod (A/B). Attach quick link to fixture loop and ceiling loop. Quick link must be completely closed when installed. Slip lock collar and canopy over ceiling loop and allow them to rest on fixture loop.
6. Push fixture wires carefully through the ceiling loop, all thread and allow them exit through the side of the hickey. Run the cable through the hickey one circle and secure safety cable with set screw assembly provided as shown.

### CONNECTING THE WIRES (Fig. 3)

7. Connect the electrical wires as shown in making sure that all wire connectors are secured. If your junction has a ground wire (green or bare copper), connect the fixture's ground wire to it. After wires are connected, tuck them carefully into the ceiling junction box.

### COMPLETING THE INSTALLATION (Fig.1&Fig.2)

8. Raise canopy over ceiling loop and secure with lock collar. (Fig.1)
9. Install (15) fifteen medium base bulbs (G) up to 60 watts each or CFL or LED equivalent (not included) in accordance with the fixture specification—**DO NOT EXCEED THE MAXIMUM WATTAGE RATING! (NE PAS DEPASSER LA PUISSANCE NOMINALE MAXIMALE!)**.
10. Screw glass panel (D) onto the hole in the fixture body (C) by using the lock nut (E) and plastic washer (F). Do not over tighten.

Your installation is now complete. Return power to the junction box and test the fixture.

**Note: Illustration (Fig. 1) on this manual is for installation purposes only. It may or may not be identical to the fixture purchased.**

**IMPORTANT: FIXTURE SHOULD BE INSTALLED BY A QUALIFIED ELECTRICIAN TO ENSURE PROPER WIRING AND INSTALLATION.**

**THIS LUMINAIRE MUST BE MOUNTED OR SUPPORTED INDEPENDENTLY OF AN OUTLET BOX**

Fig.1

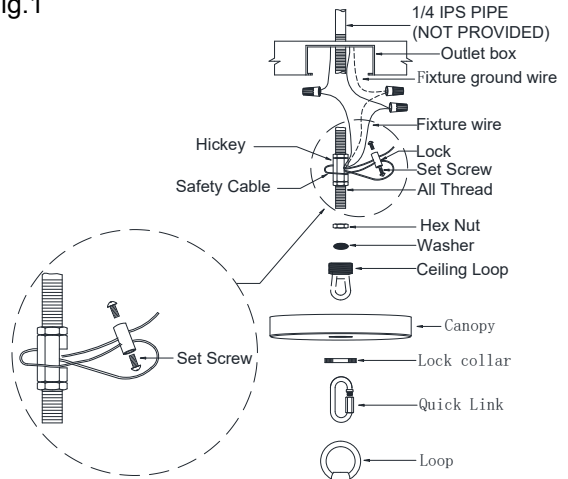


Fig.2

Rod#W39-H-732/899(A-6")

W39-1-732/899 X 3 (B-12")

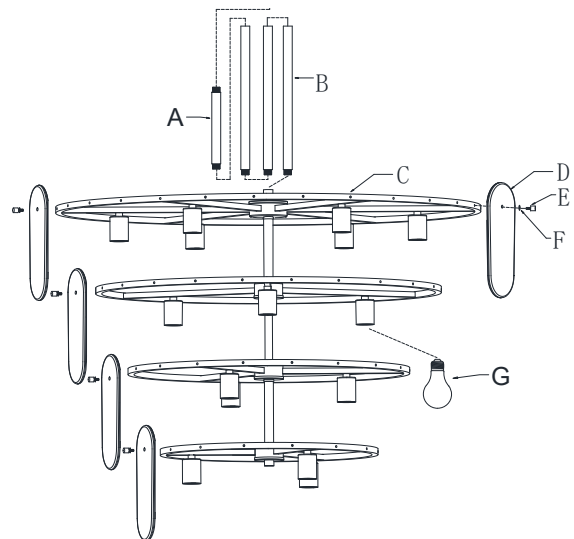
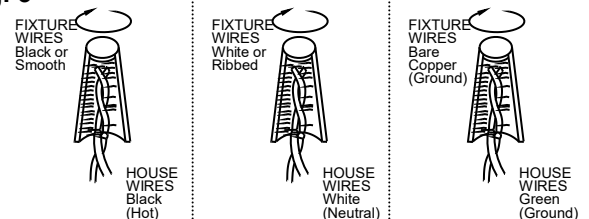
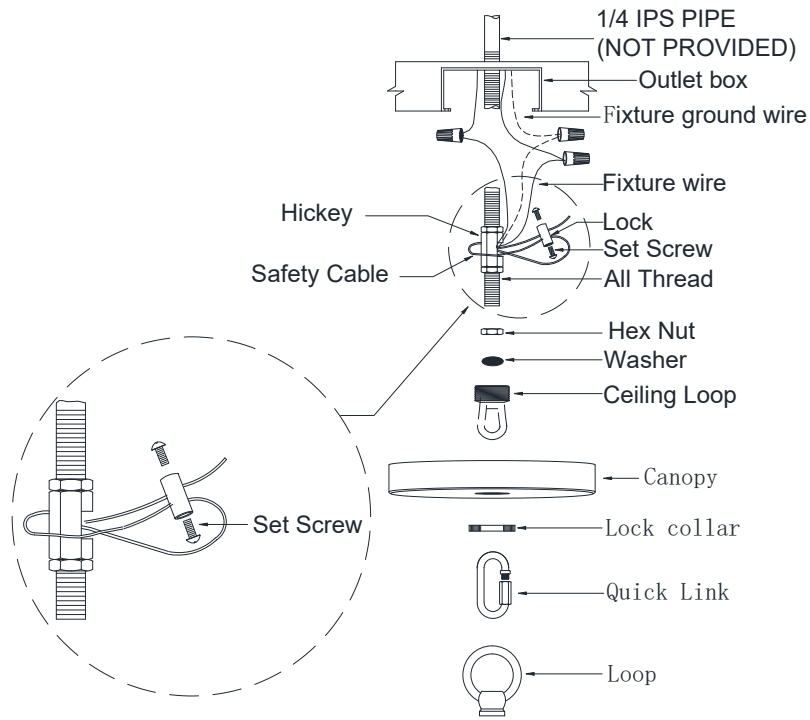


Fig. 3



**FIG.4**



- |                    |                       |                 |
|--------------------|-----------------------|-----------------|
| 1. Canopy*1        | 6. Washer*1           | 11. Set screw*2 |
| 2. Ceiling Loop *1 | 7. Hex nut*3          |                 |
| 3. Lock collar*1   | 8. Hickey*1           |                 |
| 4. Quick Link*1    | 9. Lock*1             |                 |
| 5. Loop*1          | 10. Wire connectors*3 |                 |

**a. Hardware Bag:**

- A. ROD 6"\*1
- B. ROD 12"\*3
- D. glass shade\*81

