

INSTALLATION INSTRUCTIONS

Item# 2413-XXX-L 2414-XXX-L

READ AND SAVE THESE INSTRUCTIONS

WARNING! SHUT POWER OFF AT FUSE OR CIRCUIT BREAKER.

AVERTISSEMENT! COUPER LE COURANT AU NIVEAU DES FUSIBLES OU DU DISJONCTEUR.

PREPARATION (Fig. 1)

1. Shut off power at the fuse box or circuit breaker box and remove the old fixture including the mounting hardware.
2. Carefully unpack your new fixture and lay out all the parts in a clean area. Take care not to misplace any small parts necessary for installation.

ASSEMBLING THE FIXTURE (Fig.1)

3. Loosen mounting screw (E) to remove mounting plate (B) from backplate (F). Position mounting plate (B) to wall and mark location of four mounting holes. Pre-drill the holes for plastic anchors (A). Insert plastic anchors (A) into wall.
4. Attach mounting plate (B) to junction box (Not included) using junction box screws (D). The side of mounting plate (B) marked "GND" must face out.
5. Secure mounting plate (B) by threading wood screw (C) through the holes on mounting plate (B) into plastic anchors (A).
6. The support cable (L) is provided to support weight of fixture while wiring. Align fixture to mounting plate (B) and attach the hook of support cable (L) into a slot located on mounting plate (B). Carefully allow support cable (L) to support weight of fixture while wiring (Fig.1).

CONNECTING THE WIRES (Fig. 2)

7. Connect the electrical wires as shown in Fig.2, making sure that all wire connectors are secured. If junction box has a ground wire (green or bare copper), connect the fixture's ground wire to it. Otherwise, connect the fixture's ground wire directly to mounting plate (B) using the green screw provided.
8. Tuck the wire connectors neatly into the junction box.

COMPLETING THE INSTALLATION (Fig. 1)

9. Raise backplate (F) and align with the holes on mounting plate (B) and secure with mounting screws (E) (Size: #8-32N*L0.5").
10. Attached bracket (K) on glass (H), hang bracket (K) on metal square box (G), then secure with Allen screws (J) using Allen wrench (I) (Provided).
Note: Some glass may need to add a plastic washer (M) to adjust position.

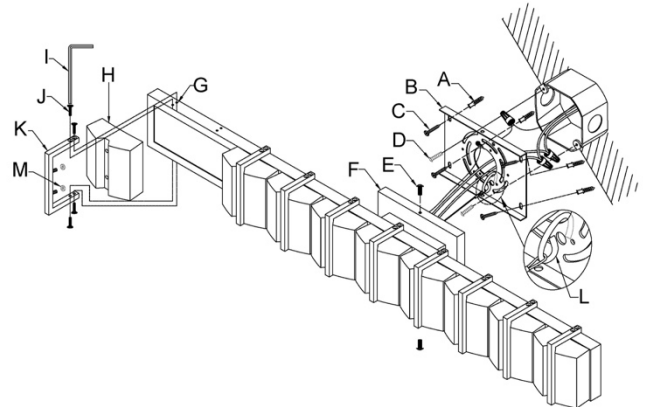
Dimmable with ELV and/or LED compatible wall dimmer switches.

Your installation is now complete. Return power to the junction box and test the fixture.

Note: Illustration (Fig. 1) on this manual is for installation purposes only. It may or may not be identical to the fixture purchased.

Fig. 1

Set# A-020-130115 for 2413-695-L
Set# A-020-160115 for 2414-695-L
Mounting Plate x 1pc
Ground Screw x 1 pc
Junction Box Screw x 2pcs



Glass# G2413

Fig. 2

