

# INSTALLATION INSTRUCTIONS FOR 2552-855 FOR WALL SCNCE READ AND SAVE THESE INSTRUCTIONS

**WARNING! SHUT POWER OFF AT FUSE OR CIRCUIT BREAKER**  
**AVERTISSEMENT! COUPER LE COURANT AU NIVEAU DES FUSIBLES OU DO DISJONCTEU**

### ASSEMBLING THE FIXTURE (Fig.1)

1. Shut off power at the fuse box or circuit breaker box and remove the old fixture including the mounting hardware.
2. Carefully unpack your new fixture and lay out all the parts in a clear area. Take care not to misplace any small parts necessary for installation.
3. Attach the mounting plate (A) to junction box (not included) using the mounting screws (C) (Size: 8-32\*1/2"L). The side of mounting plate (A) marked "GND" must face out.

### CONNECTING THE WIRES (Fig.2)

4. Connect the electrical wires as shown in Fig.2, making sure that all wire connectors are secured. If your junction box has a ground wire (green or bare copper), connect fixture's ground wire to it. Otherwise, connect the fixture's ground wire directly to the mounting plate (A) using the green screw (B) provided.

### COMPLETING THE INSTALLATION

5. Align the back plate (E) onto the mounting plate (A) and secure with screws (D).
6. Install two candelabra base bulb up to 60 watts or CFL or LED equivalent (Not included), in accordance with the fixture specification (**DO NOT EXCEED THE MAXIMUM WATTAGE RATING!**) ( **NE PAS DEPASSER LA PUISSNCE NOMINALE MAXIMLE!**)
7. Align the glass (G) onto the fixture body (F), and then rotate it clockwise until it is completely fixed. Do not over tighten.

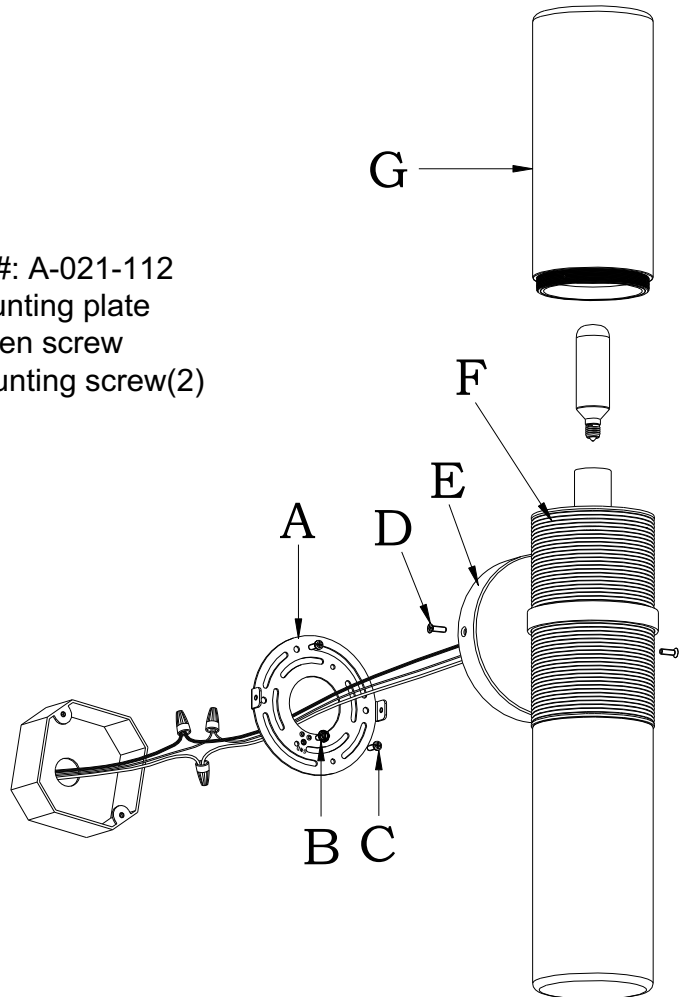
Your installation is now complete. Return power to the junction box and test the fixture.

**CAUTION /ATTENTION:** When handling the fixture, do not apply pressure to the light bulb. Hold the fixture by the base or fixture body only.

**IMPORTANT:** Fixture should be installed by a qualified electrician to ensure proper wiring and installation.

**Fig.1**

Set#: A-021-112  
Mounting plate  
Green screw  
Mounting screw(2)



**Fig.2**

<p>FIXTURE WIRES Black or Smooth</p>	<p>FIXTURE WIRES WHITE OR RIBBED</p>	<p>FIXTURE WIRES Green or Bare Copper (Ground)</p>
<p>HOUSE WIRES Black (Hot)</p>	<p>HOUSE WIRES White (Neutral)</p>	<p>HOUSE WIRES Green or Bare Copper (Ground)</p>

