

# INSTALLATION INSTRUCTIONS

Item# 2596-XXX

## READ AND SAVE THESE INSTRUCTIONS

**WARNING! SHUT POWER OFF AT FUSE OR CIRCUIT BREAKER.**

**AVERTISSEMENT! COUPER LE COURANT AU NIVEAU DES FUSIBLES OU DU DISJONCTEUR.**

1. Shut off power at the fuse box or circuit breaker box and remove the old fixture including the mounting hardware.

2. Carefully unpack your new fixture and lay out all the parts in a clean area. Take care not to misplace any small parts necessary for installation.

### ASSEMBLING THE FIXTURE (Fig.1)

3. Pass the wires of the fixture body (G) through the central rod of canopy (C), and then install the central rod of canopy (C) to the fixture body (G).

4. Loosen the finial (D) to remove from mounting screw (F). Thread two mounting screws (F) into mounting plate (A) spaced the same distance apart as the holes on canopy (C). (You can adjust the length of screws if necessary.)

5. Attach mounting plate (A) to junction box (Not included) using outlet box screws (B) (Size: #8-32N\*L1"). The side of the mounting plate (A) marked "GND" must face out.

### CONNECTING THE WIRES (Fig. 2)

6. Connect electrical wires as shown in Fig.2, making sure that all wire connectors are secured. If your junction box has a ground wire (green or bare copper), connect the fixture's ground wire to it. Otherwise, connect the ground wire directly to the mounting plate (A) using the green screw (E) provided.

7. Tuck wire connectors neatly into the junction box.

### COMPLETING THE INSTALLATION (Fig. 1)

8. Placing the canopy (C) to the ceiling by aligning the protruding mounting screw (F) all the way through the mounting plate (A) and tighten the canopy (C) using 2 finials (D). Fasten the fixture until held firmly against the ceiling.

9. Install (3) three medium base bulbs (H) up to 60 watts each or CFL or LED equivalent (not included) in accordance with the fixture specification.  
— **DO NOT EXCEED THE MAXIMUM WATTAGE RATING! (NE PAS DEPASSER LA PUISSANCE NOMINALE MAXIMALE!).**

10. Screw glass panel (I) onto the hole in the fixture body (G) by using the lock nut (J) and plastic washer (K). Do not over tighten.

Your installation is now complete. Return power to the junction box and test the fixture.

**Note: Illustration (Fig. 1) on this manual is for installation purposes only. It may or may not be identical to the fixture purchased.**

**IMPORTANT: FIXTURE SHOULD BE INSTALLED BY A QUALIFIED ELECTRICIAN TO ENSURE PROPER WIRING AND INSTALLATION.**

**Note: The fixture is over 10 lbs. Please remove all glasses before removing canopy from mounting plate to inspect wire connections in the future. This will allow you to hold the fixture body during wire connection or inspection or fixture removal.**

Fig.1

Set#A-020

-Mounting plate

-Ground Screw

-Outlet Box Screw\*2

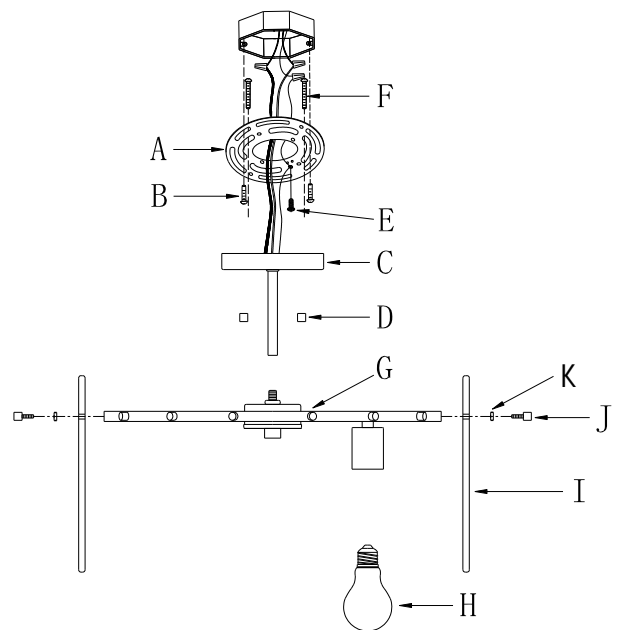


Fig. 2

FIXTURE WIRES  
Black or  
Smooth



HOUSE WIRES  
Black  
(Hot)

FIXTURE WIRES  
White or  
Ribbed



HOUSE WIRES  
White  
(Neutral)

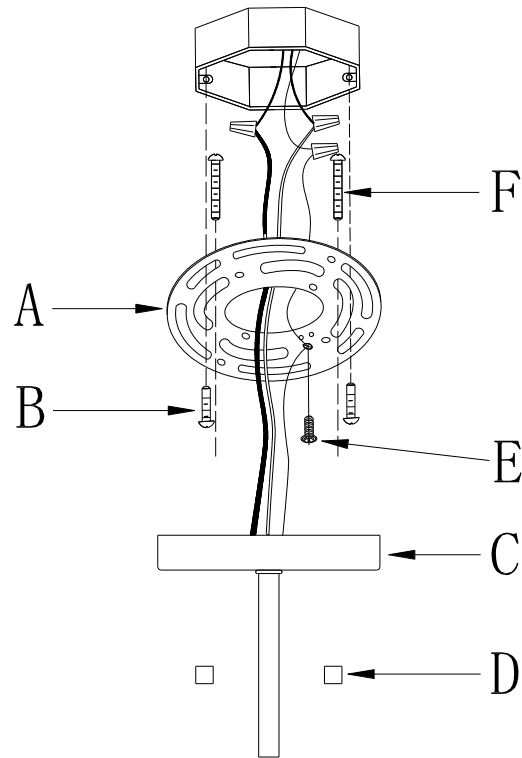
FIXTURE WIRES  
Bare  
Copper  
(Ground)



HOUSE WIRES  
Green  
(Ground)

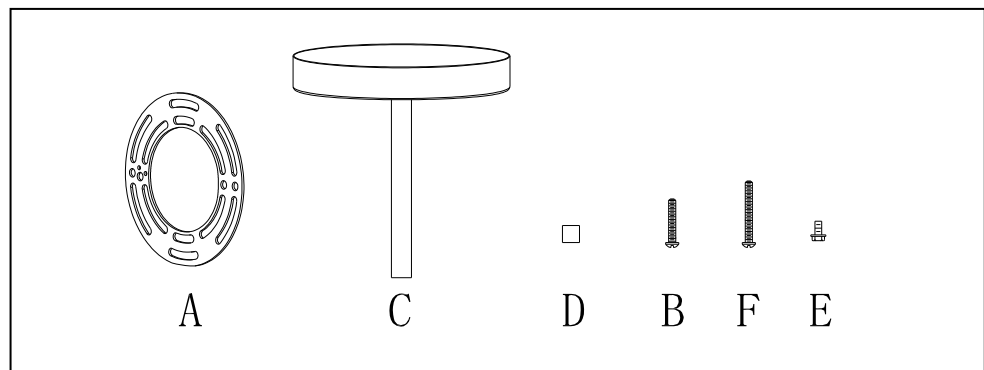


**Fig.3**



**a. Hardware Bag:**

- A. Mounting plate\*1
- B. Outlet Box Screw\*2
- C. Canopy \*1
- D. Finial\*2
- E. Ground screw\*1
- F. Mounting screw\*2



**b. Hardware Bag:**

- I. Glass panel\*13

