

INSTALLATION INSTRUCTIONS FOR FIXTURE #3639

WARNING! SHUT POWER OFF AT FUSE OR CIRCUIT BREAKER.
AVERTISSEMENT! COUPER LE COURANT AU NIVEAU DES FUSIBLES OU DU DISJONCTEUR.

ASSEMBLING THE FIXTURE (FIG. 1)

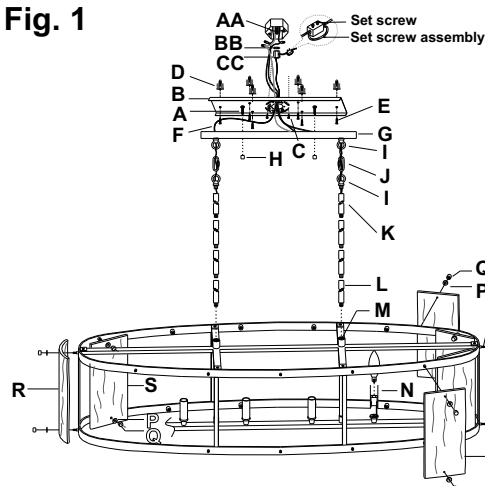
1. Shut off the power at the fuse box or circuit breaker. If necessary, remove the existing fixture and its mounting hardware from the ceiling.
2. Carefully remove the new fixture from the carton and check that all parts are included as shown in the illustration.
3. Determine the desired height and thread rods (L and K) together, assemble the rod (L) onto the coupling (M) tightly. Screw loop (I) to the rod (K). Pass the wires carefully through each rod as you assemble
4. Attach the quick link (J) to the loop (I) on the canopy (G). Carefully feed the wire through loop (I), quick link (J) and loop (I) on canopy.
5. Position the mounting plate (B) onto the ceiling and mark the location of the six anchors (D). Pre-drill the holes and insert the anchors (D).
6. Install a 1/4" IPS pipe (AA) (not provided) with one end securely mounted to a beam of a structural member. The other end should protrude through the center of the outlet box(not provided) as shown.
7. Secure the hex nut (BB) onto the pipe (AA) and then secure the hickey (CC) tightly. Feed Safety cable through mounting plate (B) and allow safety cable to exit through the side of hickey (CC). Run safety cable through the hickey (CC) one circle and secure safety cable with set screw assembly and set screw.
8. Attach mounting plate(B) to the outlet box with outlet box screws (C)provided. The side of the mounting plate marked "GND" must face out.
9. Thread woodscrews (E) through the mounting plate (B) into the anchors (D) until snug.
10. At this point, connect the electrical wires as shown in Fig. 2 making sure that all wire connections are secured. If your outlet box has a ground wire (green or bare copper), connect the fixture's ground wire to it. Otherwise, connected the fixture ground wires to the mounting plate (B) with green screw provided. After the wires are connected, tuck them neatly into the outlet box.
11. Raise canopy (G) over the mounting plate (B) and protrude the mounting screws (A) through the mounting holes on the canopy (G) and secure with nut (H) tightly.
12. Assemble the glass panel (S) onto the inner side and the outer side of fixture body by protruding the screws (O) and secure with rubber washer (P) & Nut (Q) till snug; assemble the glass panel (R) onto the both ends of the fixture body by protruding the screws (O) and secure with rubber washer (P) & Nut (Q) till snug;
13. Put the candle sleeve (N) over the socket.
14. Install (6) six candelabra bulbs up to 60 watts or CFL or LED equivalent (Not included) in accordance with fixture's specifications. **(DO NOT EXCEED THE MAXIMUM WATTAGE RATING!) (NE PAS DEPASSER LA PUISSANCE NOMINALE MAXIMALE!).**

CONNECTING THE WIRES (FIG. 2)

Your installation is now complete. Return power to the outlet box and test the fixture.



Fig. 1



3639-899 Candle

Cover#CCV21072P-899

3639-732Candle

Cover#CCV21072P-732

3639-732 ROD#

W30-H-732 * 1PC (K)

W30-1-732 * 3PCS (I)

A-021-406105

Mounting Plate * 1

Anchor* 6pcs

Wood screw* 6pcs

Outlet box Screw * 2

Ground Screw * 1

3639-899 ROD#

W30-H-899 * 1PC (K)

W30-1-899 * 3PCS (I)

****the above drawing is for reference.****

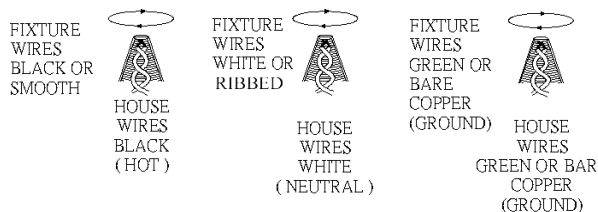


Fig.2

WARNING: THIS LUMINAIRE MUST BE MOUNTED OR SUPPORTED INDEPENDENTLY OF AN OUTLET BOX