

INSTALLATION INSTRUCTIONS

Item#3882-776-L (New. 2023/12/20)

READ AND SAVE THESE INSTRUCTIONS

WARNING! SHUT POWER OFF AT FUSE OR CIRCUIT BREAKER.
AVERTISSEMENT! COUPER LE COURANT AU NIVEAU DES FUSIBLES OU DU DISJONCTEUR.

MOUNTING THE FIXTURE (Fig.1)

1. Shut off power at the fuse box or circuit breaker box and remove the old fixture including the mounting hardware.
2. Carefully unpack your new fixture and lay out all the parts in a clear area. Take care not to misplace any small parts necessary for installation.
3. Attach mounting plate (A) using mounting screws (B) (Size: #8-32N*L1") to outlet box (Not included). The side of the mounting plate marked "GND" must face out.

CONNECTING THE WIRES (Fig. 2)

4. Connect electrical wires as shown in Fig. 2, making sure that all wire connectors are secured. If your outlet box has a ground wire (green or bare copper), connect fixture's ground wire to it. Otherwise, connect fixture's ground wire directly to mounting plate (A) using ground screw provided.
5. Tuck wire connections neatly into the outlet box.

FINISHING THE INSTALLATION (Fig.1)

6. Place fixture body (D) over mounting plate (A), and secure with screws (C).

Note: The LED module should be provided by a specified supplier.

Your installation is now complete. Return power to the outlet box and test the fixture.

Dimmable with ELV and/or LED compatible wall dimmer switches.

Note: Illustration (Fig.1) on this manual is for installation purposes only. It may or may not be identical to the fixture purchased.

WARNING: The PS board is designed to protect the frame and stone from damage during transportation. Do not remove the PS board until the fixture has been properly installed and securely hung.

Fig. 1

Set#A-020-114SQ
-Mounting Plate
-Ground Screw
-Mounting Screw *2

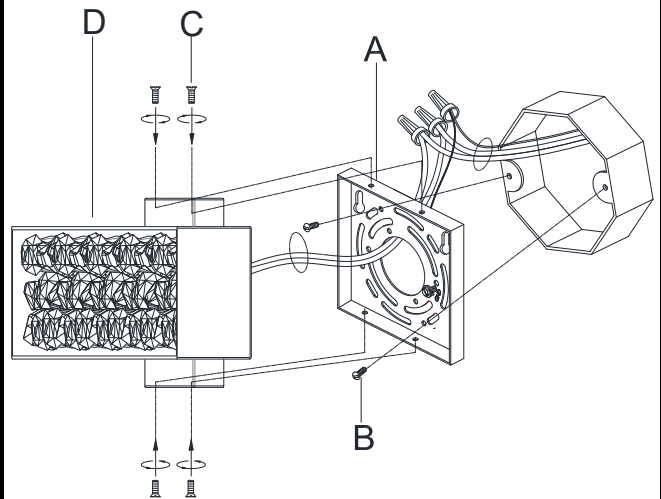


Fig. 2

