

# INSTALLATION INSTRUCTIONS

Item#3889-776-L (New. 2023/12/20)

## READ AND SAVE THESE INSTRUCTIONS

**WARNING! SHUT POWER OFF AT FUSE OR CIRCUIT BREAKER.**

**AVERTISSEMENT! COUPER LE COURANT AU NIVEAU DES FUSIBLES OU DU DISJONCTEUR.**

### MOUNTING THE FIXTURE (Fig.1)

1. Shut off the power at the circuit breaker and remove the old fixture, including the mounting hardware.
2. Carefully unpack your new fixture and lay out all the parts on a clean area. Take care not to lose any small parts necessary for installation.
3. Determine the desired hanging height and thread rods (I & H) to all thread on fixture (J). Carefully feed wires through each rod as you assemble. Note: Remove all thread, if installing with one 6" rod only.
4. Install swivel (E1) onto top of rod (H).
5. Place canopy (E), strip plate (E2), support cable (F) and lock washer (E3) over swivel (E1), secure with hex nut (E4).
6. Position mounting plate (A) on the wall and mark location of the two mounting holes. Pre-drill holes for plastic anchors (C). Insert plastic anchors (C) into wall.
7. With a drill (Not included), make two holes on the wall and insert anchors (C).
8. Attached mounting plate (A) to outlet box (Not included) using mounting screws (B) (Size: #8-32N\*L1"). The side of mounting plate (A) marked with "GND" must face out. Secure mounting plate (A) by inserting wood screws (D) through holes on mounting plate into the plastic anchors (C).
9. The support cable (F) is provided to support the weight of fixture while wiring. Align the fixture to mounting plate (A) and attach hook on the end of support cable (F) into a slot located on mounting plate (A). Carefully allow the support cable (F) to support the weight of the fixture while wiring (Fig.1).

### CONNECTING THE WIRES (Fig. 2)

10. Connect the electrical wires as shown in Fig.2, making sure that all wire connectors are secured. If your outlet box has a ground wire (green or bare copper), connect fixture's ground wire to it. Otherwise, connect fixture's ground wire directly to mounting plate (A) using ground screw provided.
11. The LED driver marked "L" is to connect to Live/Hot wire of lighting fixture cable (with marking L), the driver marked "N" is to connect to Neutral wire of lighting fixture cable (with marking N).
12. Tuck the wire connectors neatly into the outlet box.

### FINISHING THE INSTALLATION (Fig.1)

13. Raise canopy (E) over mounting plate (A) and secure with finials (G).

**Note: The LED module should be provided by a specified supplier.**

**Dimmable with ELV and/or LED compatible wall dimmer switches.**

Your installation is now complete. Return power to the outlet box and test the fixture.

3889-776-L

Fig. 1

Set# A-010-B  
-Mounting Screw \*2  
-Ground Screw  
-Mounting Plate

6" Rod# W30-H-776

12" Rod# W30-1-776

Finial# 103889776LFF10

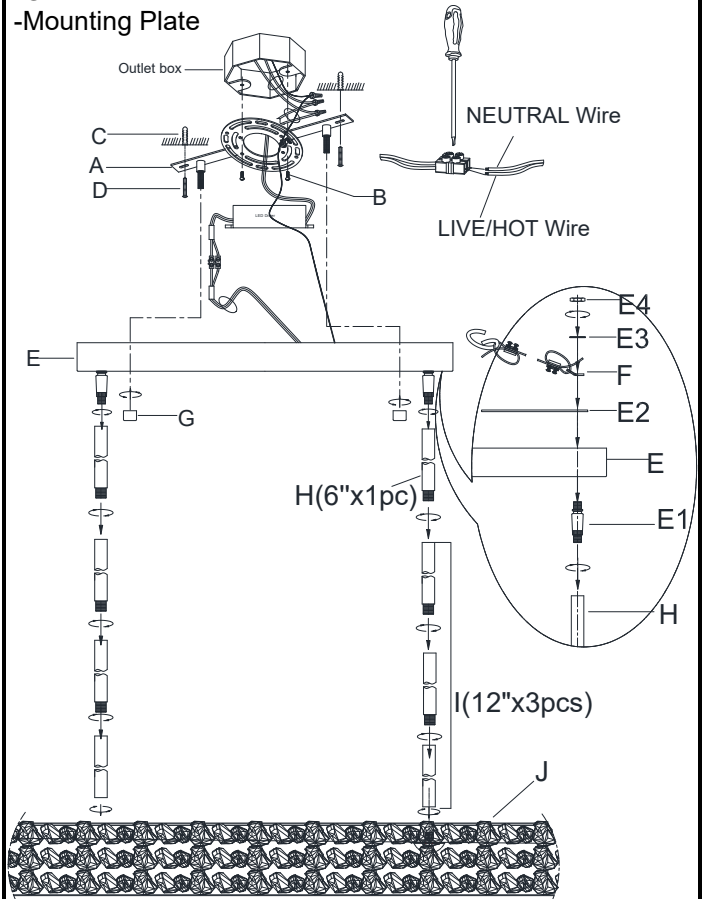
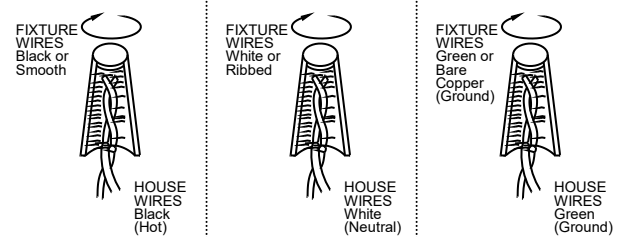


Fig. 2



**Note: Illustration (Fig.1) on this manual is for installation purposes only. It may or may not be identical to the fixture purchased.**



Page 1/2

american  
lighting  
association

### Replace swivel to be loop system (Fig.3)

1. Unthread nut (E4), then remove lock washer (E3), support cable (F), strip plate (E2) and swivel from canopy (E).
2. Attach one loops (M) to the other loop (M) by using quick link (N).
3. Place loops (M) over canopy (E), then place flat plate (E2), support cable (F) and lock washer (E3) onto protruding all thread at top of loop (M), securing with hex nut (E4).

**WARNING: The PS board is designed to protect the frame and stone from damage during transportation. Do not remove the PS board until the fixture has been properly installed and securely hung.**

