

INSTALLATION INSTRUCTIONS

Item#5195-697(Convertible Lamps for Pendant) (New. 2026/03/03)

READ AND SAVE THESE INSTRUCTIONS

WARNING! SHUT POWER OFF AT FUSE OR CIRCUIT BREAKER.

AVERTISSEMENT! COUPER LE COURANT AU NIVEAU DES FUSIBLES OU DU DISJONCTEUR.

PREPARATION (Fig. 1)

1. Shut off power at the fuse box or circuit breaker box and remove the old fixture including the mounting hardware.
2. Carefully unpack your new fixture and lay out all the parts in a clean area. Take care not to misplace any small parts necessary for installation.
3. Secure rod (H) onto all thread (Q) on top of fixture body.
4. Place plastic washers (G), glass ball (I), plastic washers (G), threaded metal ring (E) over all thread on rod (H).
5. Determine the desired hanging height and thread rods (F1, F2 and F3) to all thread on rod (H). Screw canopy (C) onto rod (F1). Carefully pass the wires through each rod during assembly.
6. Attach mounting plate (A) to the junction box (not included) with mounting screws (B) (Size: #8-32N*L1"). The side of mounting plate (A) with "GND" marked on it and two convex points must face out.

CONNECTING THE WIRES (Fig. 4)

7. Connect the electrical wires as shown in figure 4, making sure that all wire connectors are secured. If your junction box has a ground wire (green or bare copper), connect the fixture's ground wire to it. Otherwise, connect the fixture's ground wire directly to mounting plate (A) using the green screw provided.
8. Tuck wire connectors neatly into the junction box.

COMPLETING THE INSTALLATION (Fig. 1& Fig. 2)

9. Place canopy (C) over mounting plate (A) and secure with screws (D).
10. Install (3) three candelabra base bulbs (O) up to 60 watts each or CFL or LED equivalent (not included) in accordance with the fixture specification. —**DO NOT EXCEED THE MAXIMUM WATTAGE RATING! (NE PAS DEPASSER LA PUISSANCE NOMINALE MAXIMALE!)**
11. Hang decorative glass balls (J) to first ring (N). Hang decorative glass balls (L) to second ring (M). Hang decorative glass ball (K) to the bottom of housing, as shown (Fig. 2).

Your installation is now complete. Return power to the junction box and test the fixture.

Note: Illustration (Fig. 1& Fig. 2) on this manual is for installation purposes only. It may or may not be identical to the fixture purchased.

Fig. 1

Set# A-021-162D
 -Mounting plate
 -Ground Screw
 -Mounting Screw*2

Rod# W30-1-697*1(F1)
 W30-1-697*2(F2)
 W30-H-697*1(F3)

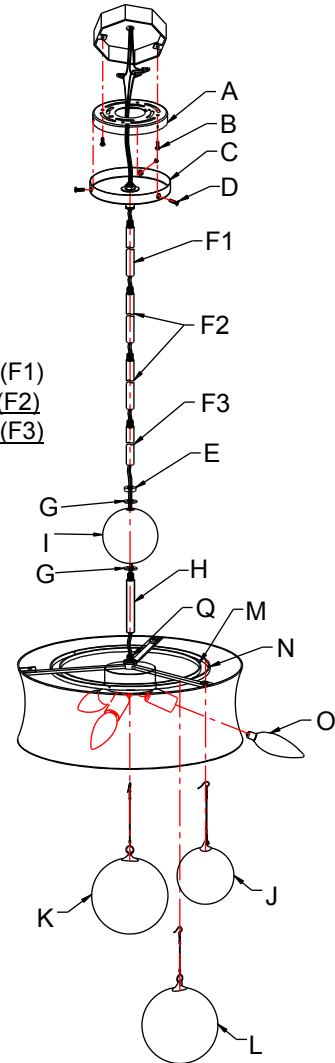
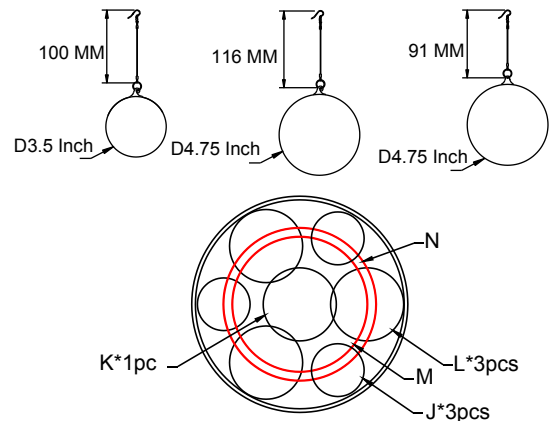


Fig. 2 J Qty: 3Pcs K Qty: 1Pc L Qty: 3Pcs



INSTALLATION INSTRUCTIONS

Item#5195-697 (Convertible Lamps for Semi Flush Mount) (New. 2026/03/03)

READ AND SAVE THESE INSTRUCTIONS

WARNING! SHUT POWER OFF AT FUSE OR CIRCUIT BREAKER.

AVERTISSEMENT! COUPER LE COURANT AU NIVEAU DES FUSIBLES OU DU DISJONCTEUR.

PREPARATION (Fig. 3 & Fig. 5)

1. Loosen hex nut (S) by using wrench (W) (not included). Carefully remove washer (T), lock washer (U), metal plate (V), canopy (C), and swivel (P) (Fig.5).
2. Secure rod (H) onto all thread (Q) on top of fixture body.
3. Place plastic washers (G), glass ball (I), plastic washers (G), and threaded metal ring (E) over all thread on rod (H).
4. Thread canopy (C), metal plate (V), lock washer (U), washer (T), and hex nut (S) into the all thread on rod (H). Secure hex nut (S) using wrench (W) (not included). (Fig. 3). Cut wire leaving 7" for installation.
5. Attach mounting plate (A) to the junction box (not included) with mounting screws (B) (Size: #8-32N*L1"). The side of mounting plate (A) with "GND" marked on it and two convex points must face out.

CONNECTING THE WIRES (Fig. 4)

6. Connect the electrical wires as shown in figure 4, making sure that all wire connectors are secured. If your junction box has a ground wire (green or bare copper), connect the fixture's ground wire to it. Otherwise, connect the fixture's ground wire directly to mounting plate (A) using the green screw provided.
7. Tuck wire connectors neatly into the junction box.

COMPLETING THE INSTALLATION (Fig. 3 & Fig. 2)

8. Place canopy (C) over mounting plate (A) and secure with screws(D).
9. Install (3) three candelabra base bulbs (O) up to 60 watts each or CFL or LED equivalent (not included) in accordance with the fixture specification. **—DO NOT EXCEED THE MAXIMUM WATTAGE RATING! (NE PAS DEPASSER LA PUISSANCE NOMINALE MAXIMALE!)**
10. Hang decorative glass balls (J) to first ring (N). Hang decorative glass balls (L) to second ring (M). Hang decorative glass ball (K) to the bottom of housing, as shown (Fig. 2).

Your installation is now complete. Return power to the junction box and test the fixture.

Note: Illustration (Fig. 3) on this manual is for installation purposes only. It may or may not be identical to the fixture purchased.

Fig. 3

Set# A-021-162D
 -Mounting plate
 -Ground Screw
 -Mounting Screw*2

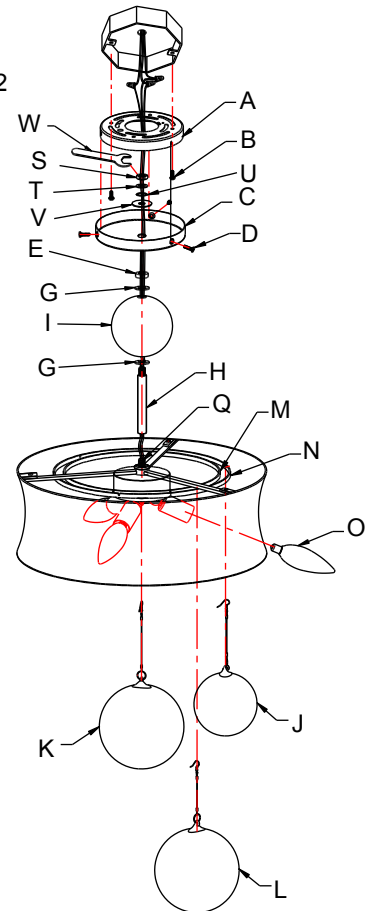


Fig. 4

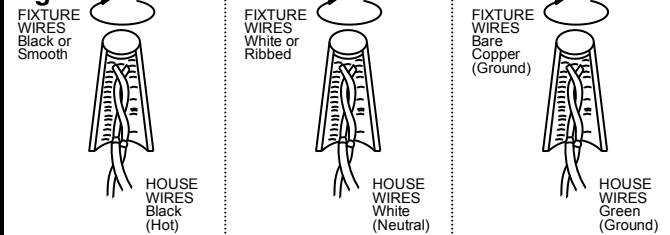


Fig. 5

