

INSTALLATION INSTRUCTIONS

Item#6578-695

READ AND SAVE THESE INSTRUCTIONS

WARNING! SHUT POWER OFF AT FUSE OR CIRCUIT BREAKER.
AVERTISSEMENT! COUPER LE COURANT AU NIVEAU DES FUSIBLES OU DU DISJONCTEUR.

HANGING THE FIXTURE (Fig. 1)

1. Carefully remove the fixture from the carton and check that all parts are included as shown in the illustration.
2. Shut off power at the circuit breaker and remove old fixture including the mounting hardware.
3. Thread nipple (V) into crossbar (B) and fix with washer and hex nut. The length of Nipple (V) may be adjusted if necessary.
4. Secure crossbar (B) to junction box (not included) using mounting screws (C) (Size:#8-32 1").
5. Loosen the hex nuts (F) on the canopy (A) using a wrench (E) (not included), then remove the metal washer (G) and the reinforcing plate (U), canopy (A) and swivels (D).
6. Determine the desired hanging height and thread rods (L, K) to all thread of the fixture body ring (M). Pass the wires carefully through each rod as you assemble. Then secure swivel (D) onto rod (K).
7. Align canopy (A) followed by metal washer (G), plate (U) and the ring of support cable (H) onto swivels (D) and secure with hex nuts (F). Carefully feed the wire through the swivel (D).
8. The support cable is provided to support the weight of the fixture while wiring. Align the fixture to crossbar (B) and attach hook (H) on the end of support cable into a slot located on crossbar (B). Carefully allow the support cable to support the weight of the fixture while wiring.

CONNECTING THE WIRES (Fig. 2)

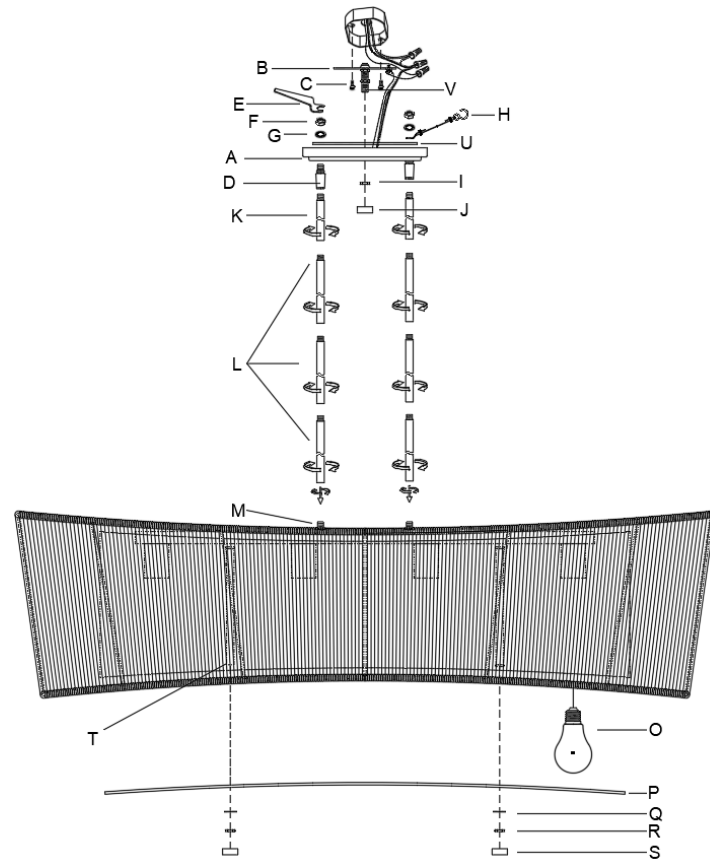
9. At this point, connect the electrical wires as shown in Fig. 2, making sure that all wire connectors are secured. If your outlet box has a ground wire (green or bare copper), connect the fixture's ground wire to it. Otherwise, connect the fixture's ground wire directly to the mounting plate using the green screw provided. After wires are connected, tuck them carefully inside the junction box.

FINISH THE INSTALLATION (Fig. 1)

10. Place Canopy (A) against the ceiling ensuring nipple (V) is protruding through the hole in Canopy (A). Secure the fixture in place to nipple (V) with hex nuts (I) and Decorative Cap (J).
11. Install (4) four Medium base bulbs (O) up to 60 watts each or CFL or LED equivalent (not included) in accordance with the fixture specification—**DO NOT EXCEED THE MAXIMUM WATTAGE RATING! (NE PAS DEPASSER LA PUISSANCE NOMINALE MAXIMALE!)**.
12. On the opposite end of Screw Stem (T), remove Finial (S), hex nut (R) and Rubber Washer (Q). Place Diffuser (P) onto Screw Stem (T) and secure in place with removed Rubber Washer (Q), hex nut (R) and Finial (S).

Your installation is now complete. Return power to the junction box and test the fixture.

Fig1.



Set# **A-011**

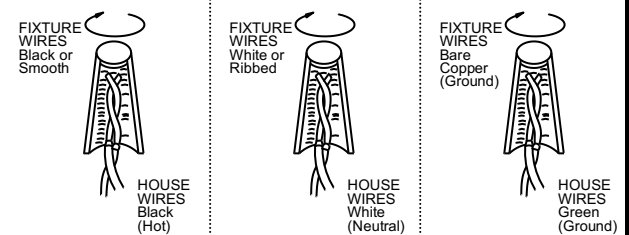
- Mounting Plate
- Ground Screw
- Mounting Screw*2

Rod#

W30-H-695*2(K) ;

W30-1-695*6(L);

Fig. 2



american
lighting
association