

# INSTALLATION INSTRUCTIONS FOR 71270-66 71271-66 FOR WALL SCONCE

READ AND SAVE THESE INSTRUCTIONS

**WARNING! SHUT POWER OFF AT FUSE OR CIRCUIT BREAKER**  
**AVERTISSEMENT! COUPER LE COURANT AU NIVEAU DES FUSIBLES OU DO DISJONCTEU**

## ASSEMBLING THE FIXTURE (Fig.1)

1. Shut off power at the fuse box or circuit breaker box and remove the old fixture including the mounting hardware.
2. Carefully unpack your new fixture and lay out all the parts in a clear area. Take care not to misplace any small parts necessary for installation.
3. Attach the mounting plate (A) to the junction box (not included) using the mounting screws (B) (Size: 8-32\*1/2"L). The side of the mounting plate marked "GND" must face out.

## CONNECTING THE WIRES (Fig.2)

4. Connect the electrical wires as shown in Fig.2, making sure that all wire connectors are secured. If your junction box has a ground wire (green or bare copper), connect fixture's ground wire to it. Otherwise, connect the fixture's ground wire directly to the mounting plate (A) using the green screw (C) provided.
5. Tuck wire connectors neatly into the junction box.

## COMPLETING THE INSTALLATION

6. Align the back plate (D) onto the mounting plate (A) and secure with screws (F) and washers (E).
7. To prevent moisture from entering the junction box and causing a short circuit, use clear caulking (i.e. Outdoor silicone sealant) to outline the outside of fixture back plate (D) where it meets the wall leaving a space at bottom to allow moisture a means to escape (Fig.3).
8. Install (1) one candelabra base bulbs up to 60 watts each or CFL or LED equivalent (Not included), in accordance with the fixture specification (**DO NOT EXCEED THE MAXIMUM WATTAGE RATING!**) (**NE PAS DEPASSER LA PUISSNCE NOMINALE MAXIMLE!**)
9. Install the glass (I) onto the fixture body (H) and secure with screws (G). Don't too tighten.

Your installation is now complete. Return power to the junction box and test the fixture.

**IMPORTANT: FIXTURE SHOULD BE INSTALLED BY A QUALIFIED ELECTRICIAN TO ENSURE PROPER WIRING AND INSTALLATION.**

Fig.1

Set#: A-021-170108 For 71270  
A-021-220108 For 71271  
-Mounting Plate  
-Green Screw  
-Mounting screw\*2

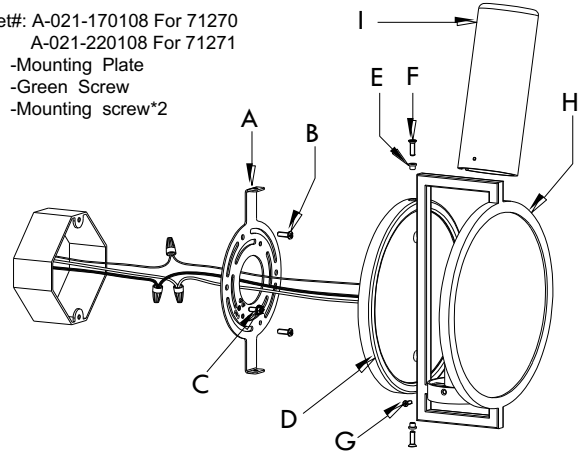


Fig.2

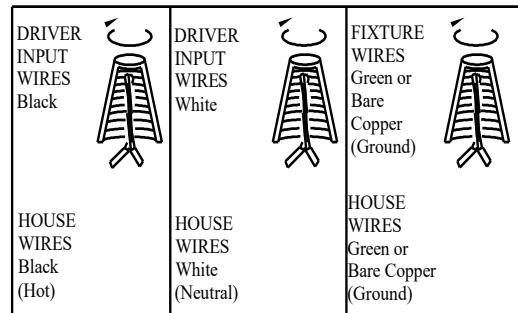


Fig.3

