

INSTALLATION INSTRUCTIONS

For Model 71283-66

READ AND SAVE THESE INSTRUCTIONS

WARNING! SHUT POWER OFF AT FUSE OR CIRCUIT BREAKER.

AVERTISSEMENT! COUPER LE COURANT AU NIVEAU DES FUSIBLES OU DU DISJONCTEUR.

HANGING THE FIXTURE (Fig. 1)

1. Shut off power at the fuse box or circuit breaker box and remove the old fixture including the mounting hardware.
2. Carefully unpack your new fixture and lay out all the parts in a clean area. Take care not to misplace any small parts necessary for installation.
3. Take curve(K) through into hook(P), then attached to backplate (L) with mounting screws(J), secure by cap nuts(H) & washers(I).
4. Position the mounting plate(B) on wall and mark location of four holes on mounting plate where plastic anchors(N) will be inserted. Drill holes into wall and insert plastic anchors(N).
5. Attach mounting plate (B) to outlet box (A) (not included) with outlet box screws (C). (Size: #8-32*0.78"L). The side of the mounting plate(B) marked "GND" must face out. And install the four wood screws (O) into the plastic anchors (N).

CONNECTING THE WIRES (Fig. 2).

6. Connect the electrical wires as shown in Fig.2. Making sure that all wire connectors are secured. If your outlet box (A) has a ground wire (green or bare copper), connect fixture's ground wire to it. Otherwise, connect fixture's ground wire directly to the mounting plate (B) using green screw provided.

COMPLETING THE INSTALLATION (Fig.1)

7. Align the backplate(L) to mounting plate (B) and secure with mounting screws(E) & washers (F).
8. Install (3) three candelabra base bulbs (M) up to 60 watts or CFL or LED equivalent (not included) in accordance with the fixture specification. **(DO NOT EXCEED THE SPECIFIED WATTAGE!) (NE PAS DEPASSER LA PUISSANCE NOMINALE MAXIMALE!).**

8. To prevent moisture from entering the outlet box (A) and causing a short, use clear caulking (i.e. Outdoor Silicone Sealant) to outline the outside of fixture back plate where it meets the wall leaving a space at bottom to allow moisture a means to escape. (Fig. 3)

Your installation is now complete. Return power to the junction box and test the fixture.

Replacing glass

- a. Loosen the screw(T) & washer(S) & clip(R) from top of cage(D), then place new glass(Y).
- b. Secure screw(T) & washer(S) & clip(R) back to top of cage(D).

Fig.1

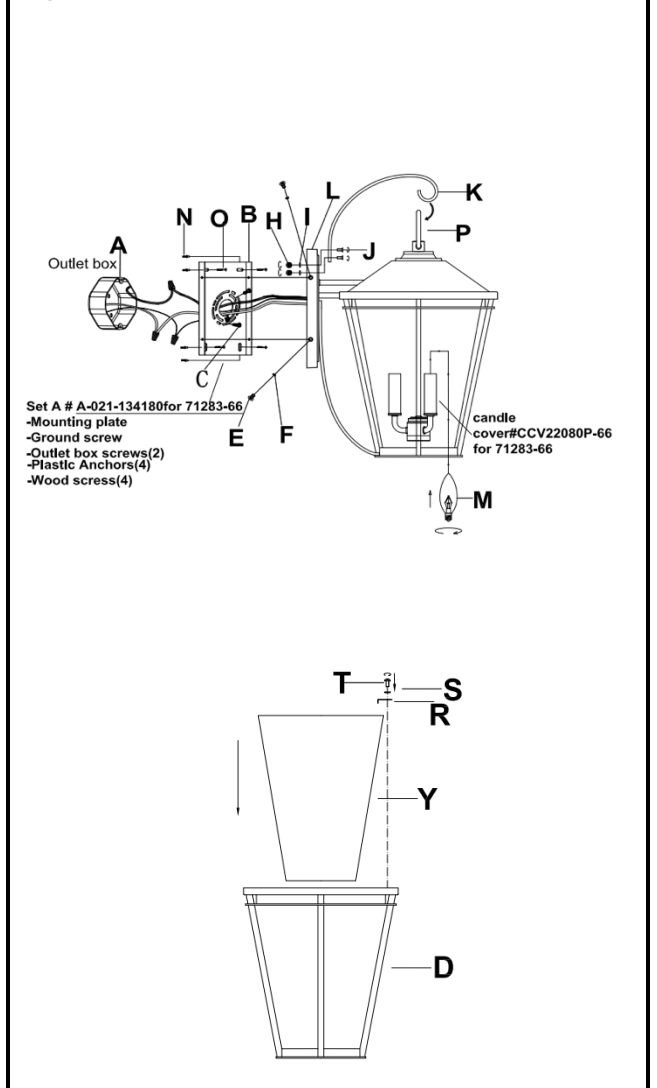


Fig. 2

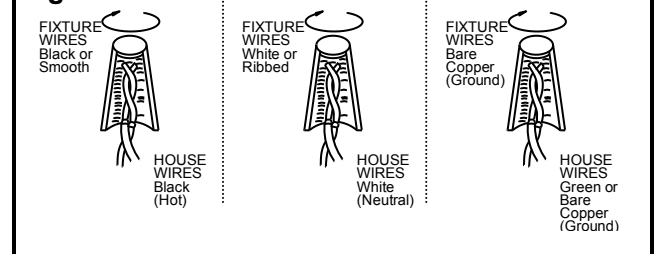


Fig. 3

