

# INSTALLATION INSTRUCTION

Item#72211

READ AND SAVE THESE INSTRUCTIONS

**WARNING! SHUT POWER OFF AT FUSE OR CIRCUIT BREAKER.**

**AVERTISSEMENT! COUPER LE COURANT AU NIVEAU DES FUSIBLES OU DU DISJONCTEUR.**

## PREPARATION (Fig. 1)

1. Shut off power at the fuse box or circuit breaker box. Remove the old fixture and mounting hardware.
2. Carefully unpack your new fixture and lay out all the parts on a clear area. Take care not to lose any small parts necessary for installation.
3. Thread the studs (C) into the pre-drilled holes in the circular strap (A) spaced the same distance apart as the holes in the backplate (D). You can adjust the length of studs if necessary.
4. Attach the circular strap (A) to the junction box with the two junction box screws (B) as shown. The side of the circular strap marked "GND" must face out.

## CONNECTING THE WIRES (Fig. 2)

5. Connect the electrical wires as shown in (Fig.2), making sure that all wire connectors are secured. If your outlet has a ground wire (green or bare copper), connect the fixture ground wire to it. Otherwise, connect the fixture ground wire directly to the circular strap using the green screw provided.

## COMPLETING THE INSTALLATION

6. Align backplate (D) onto Studs (C) and secure with cap nuts (E) and washers (F).

7. To prevent moisture from entering the outlet box and causing a short, use clear caulking (i.e. Indoor/Outdoor Silicone Sealant) to outline the outside of fixture backplate where it meets the wall leaving a space at bottom to allow moisture a means to escape (Fig.3).

8. Install (1) one medium base bulb (G) up to 60 watts or CFL or LED equivalent (not included). (DO NOT EXCEED THE SPECIFIED WATTAGE!) (NE PAS DEPASSER LA PUISSANCE NOMINALE MAXIMALE!)

Your installation is now complete. Return the power to the junction box and test the fixture.

**Note:** Illustration (Fig. 1) on this manual is for installation purposes only. It may or may not be identical to the fixture purchased.

Fig. 1

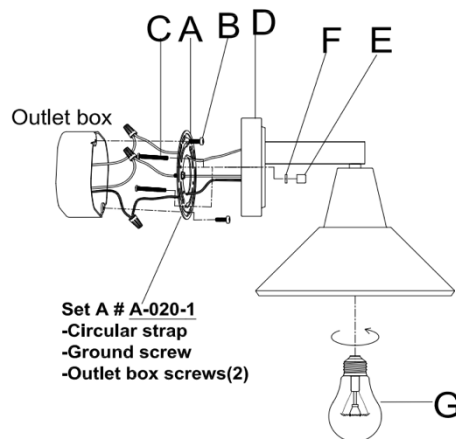


Fig. 2

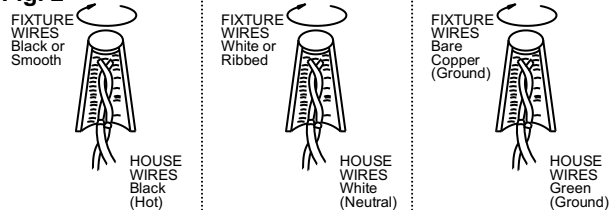


Fig. 3

