

# INSTALLATION INSTRUCTIONS

Item# 759/769-2-44/66A/84/787-L

## READ AND SAVE THESE INSTRUCTIONS

**WARNING! SHUT POWER OFF AT FUSE OR CIRCUIT BREAKER.**

**AVERTISSEMENT! COUPER LE COURANT AU NIVEAU DES FUSIBLES OU DU**

READ AND SAVE THESE INSTRUCTIONS

**WARNING! SHUT POWER OFF AT FUSE OR CIRCUIT BREAKER.**

**AVERTISSEMENT! COUPER LE COURANT AU NIVEAU DES FUSIBLES OU DU DISJONCTEUR.**

### PREPARATION

1 : Shut off power at the fuse box or circuit breaker box and remove the old fixture including the mounting hardware.

2 : Carefully unpack your new fixture and lay out all the parts in a clean area. Take care not to misplace any small parts necessary for installation.

### INSTALLATION & ASSEMBLY (Fig.1 & Fig.2)

3 : Attach mounting plate (B) to outlet box (A) (Not included) using the outlet box screws (C) provided.

4 : Attach support cable (F) to the slotted holes on mounting plate (B), carefully allow support cable (F) to support weight of fixture while wiring.

5 : Pull power supply wires out from outlet box (A). Connect black supply wire to the black fixture wire using wire nut (D). Connect the white supply wire to the white fixture wire using wire nut (D). Connect the fixture ground wire and the supply ground wire together using wire nut (D). Wrap all wire connections with electrical tape for a more secure connection.

6 : Carefully tuck all wires and wire connections into outlet box (A).

7 : Raise fixture body and align tab to the clamping position ( E ) of mounting plate ( B ). Push upward and rotate a quarter turn to install until tightening.

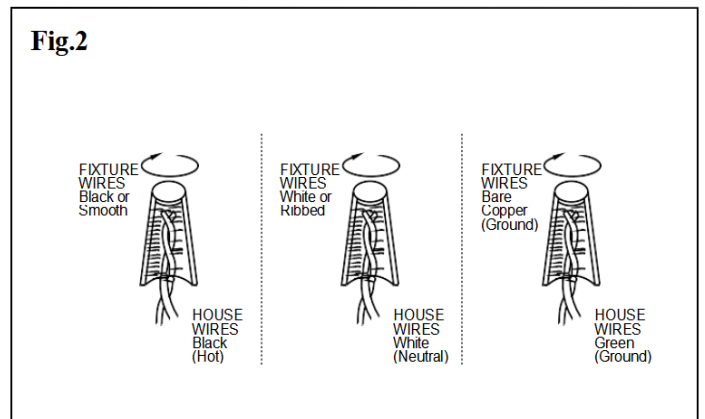
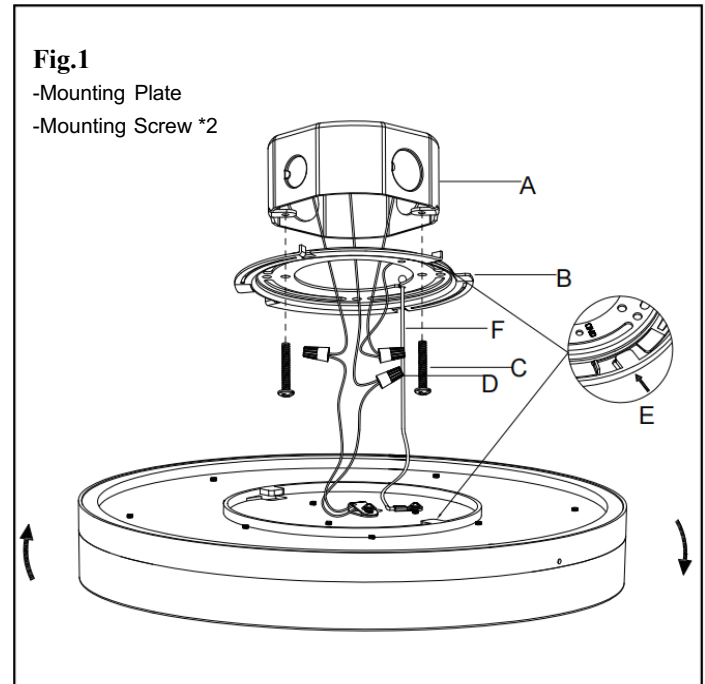
**Your installation is now complete. Return power and test the fixture.**

### Care and maintenance

Use a clean, soft cloth to wipe the surface of the fixture.

**DO NOT use any cleaners with chemicals, solvents or harsh abrasives.**

Dimming: Dimmable with ELV and/or LED compatible wall dimmer switches.



### IMPORTANT:

**1. FIXTURE SHOULD BE INSTALLED BY A QUALIFIED ELECTRICIAN TO ENSURE PROPER WIRING AND INSTALLATION.**

**2. Please make sure fixture body was secured with mounting plate well by rotating a quarter turn during the step 7 .**

**3. During Step 7 of the installation, rotate the ceiling pan only. Do not rotate the PC lens, as this may cause the lens to loosen.**



american  
lighting  
association