



M
MINKA
AIRE

Foxden



INSTRUCTION MANUAL WARRANTY CERTIFICATE

©2026 Minka Lighting, LLC. Manual design and all elements of manual design are protected by United States Federal and/or State Law, including Patent, Trademark and/or Copyright Laws.



The Minka-Aire® energy star rated fan warranty is for three (3) years from the date of purchase from an authorized Minka-Aire® dealer.

This warranty is only valid to the original purchaser or user against all defects in material and workmanship (light bulbs excluded) for three (3) years. Additionally, Minka-Aire® warrants the motor only for the lifetime of the Minka Aire® ceiling fan (excluding wall controls and electrical components), to the original purchaser or user.

- * The warranty is voided with the use of any non-Minka-Aire® electrical devices, E.g., wall controls or electrical dimmer switches, etc.
- * The warranty is void once the original purchaser or user ceases to own the fan or the fan is moved from its original point of installation.
- * The warranty is void with the use of any hanger bracket (non-Minka Aire or non-fan specific) other than the hanger bracket supplied & installed with this specific fan.

Warranty Service Information

To obtain warranty service during the warranty period, the purchaser should return the fan with the sales receipt to the original place of purchase. The authorized Minka-Aire® dealer, at its sole discretion, will either repair or replace the fan after verifying the legitimacy of the warranty claim. Replacement is subject to availability of the same model. If the model is unavailable it will be replaced by one of equal value. This is a limited warranty; the original purchaser or user is responsible for the cost of removal and reinstallation of repaired or replacement product.

To obtain the name of the Minka-Aire® authorized dealer nearest you call the Minka-Aire® customer care department at 1-800-307-3267, or contact Minka-Aire® through www.minkagroup.net and select FAQ to answer any questions or if you require additional assistance submit the question form found there.

Date Purchased _____ Store Purchased _____ Model Number _____ F778L

CONTENTS

SAFETY RULES	1	ATTACHING THE FAN BLADE	7
PACKAGE CONTENTS	2	INSTALLING THE LED LIGHT KIT	8
INSTALLING THE FAN	3	OPERATING THE REMOTE CONTROL/ WALL CONTROL	9
HANGING THE FAN	4	CARE OF YOUR FAN	10
ELECTRICAL CONNECTIONS	5	TROUBLESHOOTING	11
FINISHING THE INSTALLATION	6	SPECIFICATIONS	12



1860 Compton Ave, Corona, CA 92881 • For Customer Assistance Call: 1-800-307-3267



1

SAFETY RULES

1. Before you begin installing the fan, shut power off the circuit breaker of the fuse box.
2. Be cautious! Read all instructions and safety information before installing your new fan. Review accompanying assembly diagrams.
3. Make sure that all electrical connections comply with local codes, ordinance, or National Electrical Codes. Hire a qualified electrician or consult a do-it-yourself wiring handbook if you are unfamiliar with installing electrical wiring.
4. Make sure the installation site you choose allows the fan blades to rotate without any obstructions. Allow a minimum clearance of 7 feet from the floor and 18 inches from the top of the blades to the wall.
5. If you are mounting the fan to a ceiling fan outlet box, use a U.L. Listed metal octagonal outlet box marked 'Acceptable For Fan Support'. Secure the box directly to the building structure. The outlet box and its support must be able to support the moving weight of the fan (at least 50 pounds). Do not use a plastic box.
6. Caution: To reduce the risk of injury use only the screws provided with the outlet box in conjunction with the lock washers provided with the fan.
7. If you are mounting the fan to a joist, make sure it is able to support the moving weight of the fan (at least 50 pounds).
8. After you install the fan, make sure that all mounting components are secured to prevent the fan from falling.
9. Do not insert anything into the fan blades while the fan is operating.
10. Turn the fan off and wait for the blades to stop completely before performing any maintenance or cleaning.

NOTE: The important safeguards and instructions appearing in this manual are not meant to cover all possible conditions and situations that may occur. It must be understood that common sense, caution and care are factors which can not be built into this product. These factors must be supplied by the person(s) installing, caring for and operating the unit.

NOTE: READ AND SAVE ALL INSTRUCTIONS!

WARNING

TO REDUCE THE RISK OF FIRE, ELECTRIC SHOCK OR OTHER PERSONAL INJURY, MOUNT FAN ONLY TO A U.L LISTED OUTLET BOX OR SUPPORTING SYSTEM MARKED ACCEPTABLE FOR FAN SUPPORT AND USE MOUNTING SCREWS PROVIDED WITH THE OUTLET BOX IN CONJUNCTION WITH THE LOCK WASHERS PROVIDED WITH THE FAN. MOST OUTLET BOXS COMMONLY USED FOR THE SUPPORT OF LIGHTING FIXTURES ARE NOT ACCEPTABLE FOR FAN SUPPORT AND NEED TO BE REPLACED. CONSULT A QUALIFIDE ELECTRICIAN IF IN DOUBT.

TO REDUCE THE RISK OF PERSONAL INJURY, DO NOT BEND THE BLADE HOLDERS WHILE INSTALLING BALANCING THE BLADES OR CLEANING THE FAN. DO NOT INSERT FOREIGN OBJECTS BETWEEN ROTATING FAN BLADES.

TO REDUCE THE RISK OF FIRE OR ELECTRONIC SHOCK, THIS FAN CAN ONLY USE FP8075H2A SPEED CONTROL WITH RC 700L REMOTE CONTROL ONLY.

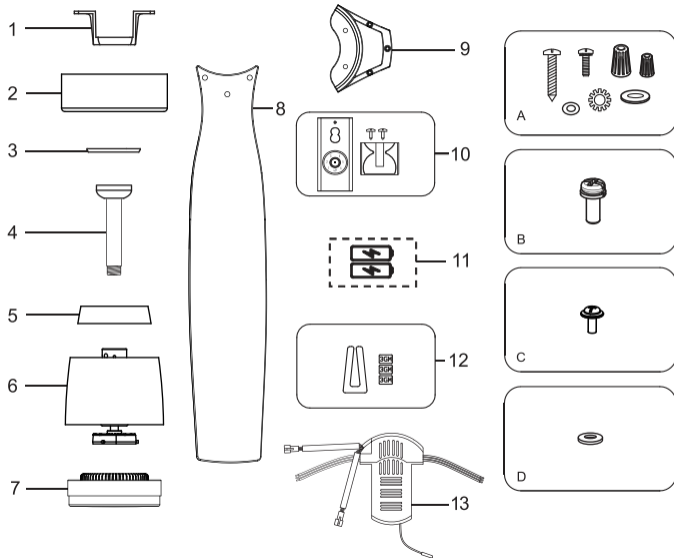
2

PACKAGE CONTENTS

Unpack your fan and check the contents. You should have the following items:

1. Hanger bracket
2. Canopy
3. Canopy cover
4. Standard downrod assembly (6")
5. Coupling cover
6. Fan motor/ UP LED Light Kit
7. LED Light Kit
8. Fan Blades (3)
9. Blade holders(3)
10. Remote control with holder and 2 mounting screws
11. AAA 1.5V battery(2pcs)
12. Balancing kit
13. Receiver

- A. Mounting hardware:
 #10x 1.5" Wood screws(2 pcs)
 #8x 3/4" Machine screws(2 pcs)
 Lock washer(2 pcs)
 Washer(2 pcs)
 4mm Star washers(2 pcs)
 Wire nutes(3 pcs)
 Wire nutes(3 pcs)
- B. 1/4"x 3/8" Motor Screws with lock washer (7pcs)
- C. 3/16"x 8mm Blade Screws (10pcs)
- D. Fiber washer (10pcs)



INSTALLING THE FAN

Tools Required: Philips screw driver, slotted screw driver, step-ladder, wire cutters, electrical tape.

MOUNTING OPTIONS

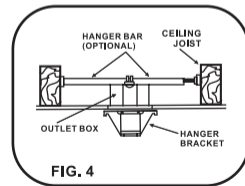
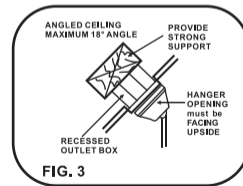
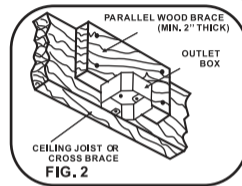
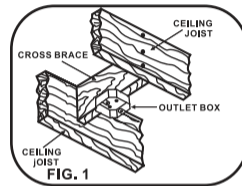
If there isn't an existing mounting box, then read the following instructions. Disconnect the power by removing fuses or turning off circuit breakers.

Secure the outlet box directly to the building structure. Use appropriate fasteners and building materials. The outlet box and its support must be able to fully support the moving weight of the fan (at least 50 lbs.). Use a UL listed metal outlet box. Do not use a plastic outlet box.

Figure 1, 2 and 3 are examples of different ways to mount the outlet box.

Note: You may need a longer downrod to maintain proper blade clearance when installing on a steep, sloped ceiling. Longer downrods are available from your Minka-Aire® dealer.

To hang your fan where there is an existing fixture but no ceiling joist, you may need to install a hanger bar as shown in Fig. 4 (available at your Minka Aire® dealer).



4

HANGING THE FAN

WARNING: All of the parts, hardware and components such as the hanger bracket and hanger ball have been provided for your safety and the proper installation of your new ceiling fan. The use of other parts, hardware or components not supplied by Minka Aire® with the fan will void the Minka Aire® Warranty.

REMEMBER to turn off the power. Follow the steps below to hang your fan properly:

Step 1. Secure the Hanger Bracket to the ceiling outlet box using the screws provided with your outlet box in conjunction with the lock-washers provided with the fan. (Fig. 5)

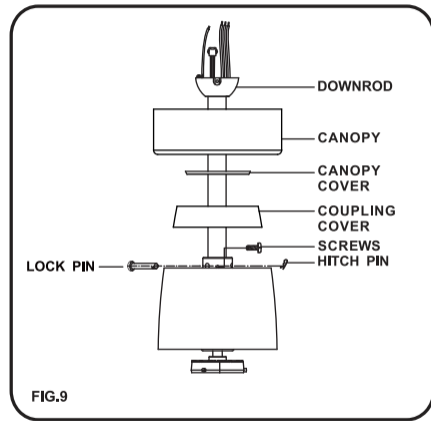
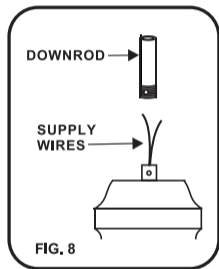
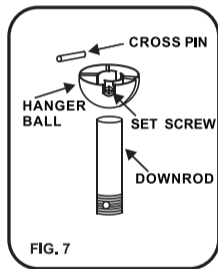
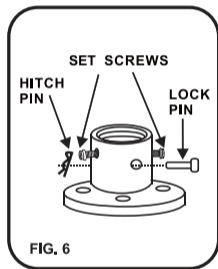
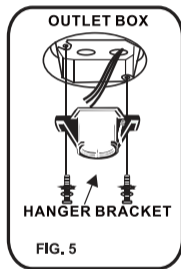
Step 2. Loosen the two set screws and remove the hitch pin and lock pin from the top coupling of the motor assembly. (Fig 6)

Step 3. Remove hanger ball from downrod assembly by loosening set screw, removing the cross pin, and sliding ball off rod. (Fig 7)

Step 4. Carefully feed fan wires up through the downrod (Fig 8) Thread the rod into the coupling, next line up holes and replace lock pin and hitch pin. Tighten set screws. (Fig.9)

Step 5. Slip coupling cover, canopy cover, and canopy onto downrod (Fig.9). Carefully reinstall hanger ball onto rod being sure that cross pin is in the correct position, set screws are tightened and wires are not twisted.

Step 6. Now lift motor assembly into position and place hanger ball into hanger bracket. Rotate until the check groove has dropped into the registration slot and seats firmly. Rod should not rotate if this is done correctly.

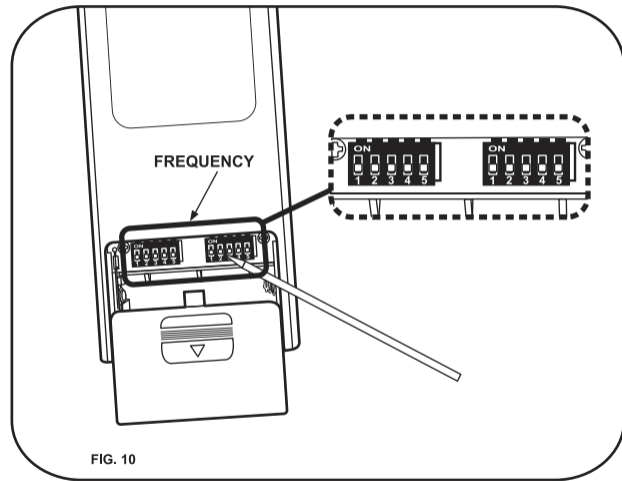


ELECTRICAL CONNECTIONS

WARNING: To avoid possible electrical shock be sure electricity is turned off at the main fuse or breaker box before wiring.

WARNING: The use of Dimming devices not compatible with ceiling fans will cause unwanted behavior including loud humming and will cause permanent damage to you fans electrical component.

Note: The Aire Control[®] System is equipped with a learning frequency function which has 1024 code combinations to prevent potential interference from other remote units. The frequency on your Receiver and Transmitter units have been preset at the factory. (Fig.10) No frequency change is necessary, should you desire to install another fan within the same home or area with a separate frequency code please see the 'frequency interference' troubleshooting section of this instruction manual to learn how to change the frequency.



Step 1. Insert Receiver into Hanger bracket with the flat side of the Receiver facing the ceiling. (Fig. 11)

Step 2. Receiver to House Supply Wires Electrical Connections: Connect the WHITE wire (Neutral) from the outlet box to the WHITE wire marked 'AC in N' from the receiver. Connect the BLACK wire (Hot) from the outlet box to the BLACK wire marked 'AC in L' from the receiver. Secure all wire connections with the plastic wire nuts provided. (Fig. 12)

Step 3. If your outlet box has a GROUND wire (Green or Bare Copper) connect this wire to the Hanger Ball, Hanger Bracket and Receiver Ground wires. If your outlet box does not have a Ground Wire, then connect the Hanger Ball, Hanger Bracket and Receiver Ground Wires together. Secure wire connection with the plastic wire connector provided. (Fig. 12)

Step 4. Motor to receiver wires electrical to connections: connect the RED wire from the receiver to the RED wire from the motor, the YELLOW wire to the YELLOW wire, and the GRAY wire to the GRAY wire. For the light, connect the 3P-3P for light. (Fig.13)

After all splices are made, check to make sure there are no loose strands. As an additional precaution we suggest to secure the plastic wire connectors to the wires with electrical tape.

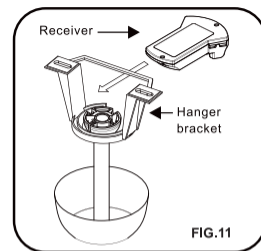
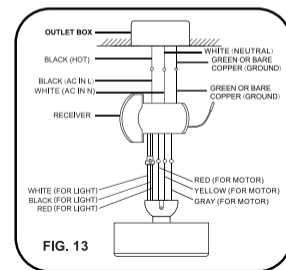
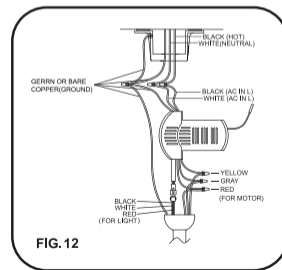


FIG.11



6

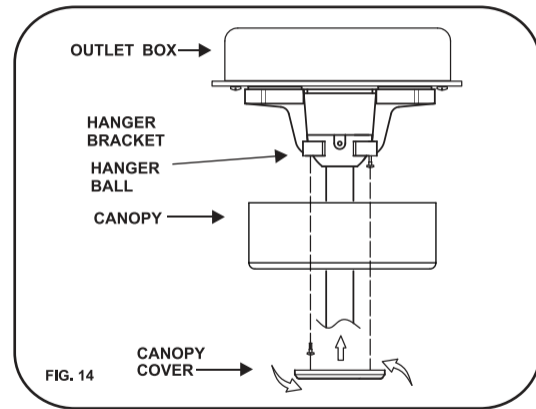
FINISHING THE INSTALLATION

Step 1. Remove 1 of the 2 screws from the bottom of the hanger bracket and loosen the other one half a turn from the screw head.

Step 2. Slide the canopy up towards the hanger bracket and place the key hole on the canopy over the screw on the hanger bracket turn canopy until it locks in place at the narrow section of the key holes. (Fig. 14)

Step 3. Align the circular hole on canopy with the remaining hole on the hanger bracket, secure by tightening the two set screws.

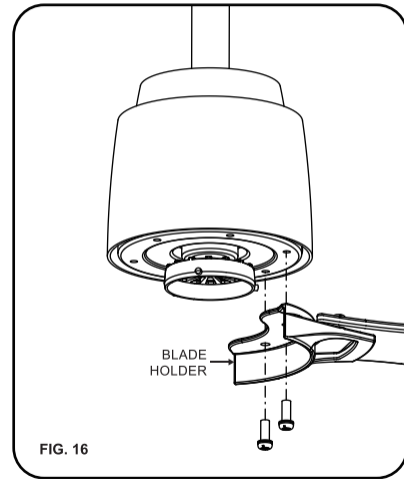
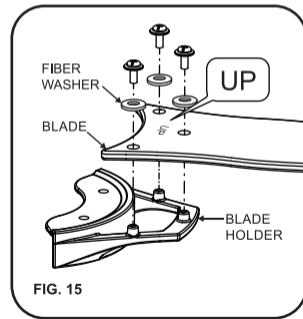
Note: Adjust the canopy screws as necessary until the canopy and canopy cover are snug.



ATTACHING THE FAN BLADE

Step 1. Attaching the blade to the blade holder and tighten with blade screws and fiber washers.

Step 2. Install the blade holder to the fan motor, tighten with screw pack B.(FIG.16)

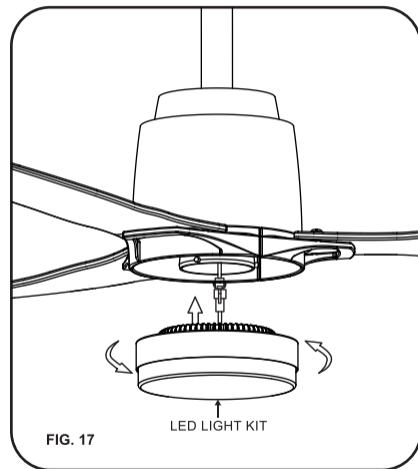


INSTALLING THE LED LIGHT KIT

Step 1. While holding the 20W LED assembly under your fan, firmly snap the wire connection plugs together. (Fig.17)

Step 2. Attach the 20W LED assembly to the switch box by twisting it tightly. (Fig.17)

Note: To prevent electrical shock, do not disassemble. This is an integrated LED light kit assembly.



OPERATING THE REMOTE CONTROL/WALL CONTROL

Remote Control only: Install the two 'AAA' 1.5 volt batteries(included). To prevent damage to transmitter remove the battery if not used for long periods of time

Your DC brushless motor is equipped with a self learning frequency function remote control. Restore power to ceiling fan and test the transmitter as below for proper operation:

A. 1, 2, 3, 4, 5 and 6 button:

These six buttons are used to set the fan speed as follows:

1 = minimum speed

2 = low speed

3 = medium low speed

4 = medium speed

5 = medium high speed

6 = high speed

B.  Reverse button:


This button is used to change the direction of the rotation of the blades; forward for warm weather or reverse for cool weather.

C.  button:

This button turns the power Off to the Fan.

D.  Button:



On/Off Plus Full Range Light Dimmer: these buttons turn the light ON or Off.

The following instructions apply to ceiling fans that feature a DOWN light ( Button) only or ceiling fans that feature an UP light ( Button)

and a DOWN light ( Button) that are controlled indendently of each other;

Press and release the button for the desired light to turn the light ON or OFF. Press and hold the button to set the desired light brightness. The light will cycle between bright and dim settings as long as the button is pressed. The light kit has an auto-resume feature that allows the light to remain at the same brightness as the last time it was turned off.

Color Control For Both Up And Down Light:

To adjust the color temperature of both the upper and lower lights simultaneously, press and hold the UP LIGHT ( Button) and DOWN light ( Button) together.

Note: The auto learning function will only mandate within 60 seconds when turning the fan's AC power ON.

1. Select desired frequency from the back of transmitter. (FIG.18)
2. Press the transmitter's "Off" button, and hold the "Off" button for over 10 seconds. Once the receiver has detected the frequency, the fan will begin to rotate for a short period and then shut off and the down light of your fan if applicable will blink three times, the fan will rotate. (There is no indication if your fan is not equipped with a light).

Note: The learning frequency function will continue to retain the last set frequency even when the AC power is shut off.

The DC motor has a built in safety feature against obstruction during operation, if the fan motor senses a obstruction for 60 seconds or more it will get locked and will not rotate until the obstruction has been removed and the power has been disconnected for 5 seconds.

3. Over 60W protection: When the receiver detects motor power consumption which is greater than 60W, the receiver's power will stop and operation will be immediately discontinued. if you want to re-start the fan, Please remove obstacles and disconnect the power by turning off the circuit breaker . And turn the power on after 5 seconds.

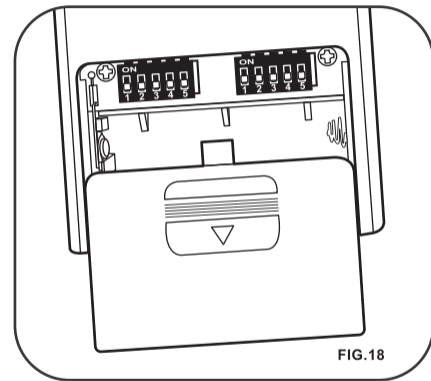


FIG.18

Speed settings for warm or cold weather depend on factors such as room size, ceiling height and number of fans.

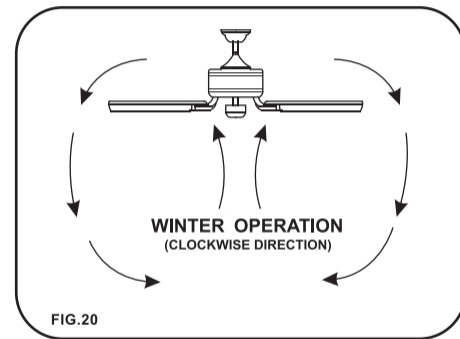
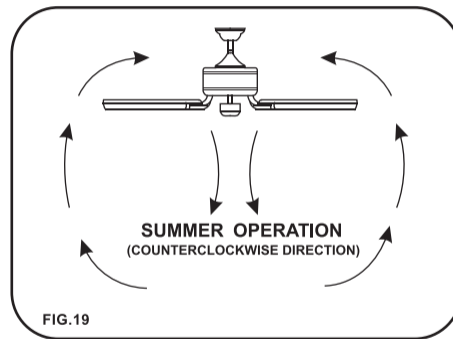
NOTE: to change the direction of the rotation of the blades the fan must be in operation mode.

Warm Weather (forward)

A **DOWNWARD** airflow creates a cooling effect as shown in Figure 19. This allows you to set your air conditioner on a warmer setting without affecting your comfort.

Cool Weather (Reverse)

An **UPWARD** airflow moves warmer air off the ceiling area as shown in Figure 20. This allows you to set your heating unit on a cooler setting without affecting your comfort.



ENJOY YOUR SMART CEILING FAN

Note: Before moving on to learning about your new smart ceiling fan, please be sure to test all your fans functionalities using your remote control first.

To enjoy all the potential of your new ceiling fan. You'll need to download the BOND HOME app. Available on the Google and Apple Play Store.

You can use the QR code shown in (Fig. 18) to download the app, or you can download the app by visiting https://bondhome_io/app and follow the prompts.

Note: Please turn to our "Troubleshooting Section" for additional information on you Smart Ceiling Fan.



Scan QR Code

FIG. 21

CARE OF YOUR FAN

Here are some suggestions to help maintain your fan.

1. Because of the fan's natural movement some connections may become loose. Check the support connections, brackets and blade attachments twice a year. Make sure they are secure. (It is not necessary to remove fan from the ceiling).
2. Clean your fan periodically to help maintain its new appearance over the year. CAUTION many common household cleaning products contain chemicals that could damage the finish of your fan. Use only a soft lint free cloth and soapy water.
3. If your fan is provided with wood veneer blades; you can apply a light coat of furniture polish for additional protection and enhanced beauty.
Cover small scratches with a light application of shoe polish.

4. Use a lint free lightly damp cloth or duster to remove dust from the blades.
5. There is no need to oil your fan. The motor has permanently lubricated bearings.
6. If your fan is provided with glass shades, clean with lukewarm soapy water and a soft cloth or sponge. DO NOT IMMERSE GLASS SHADES IN HOT WATER. DO NOT PUT GLASS SHADES INTO AN AUTOMATIC DISHWASHER.

WARNING!
MAKE SURE THE POWER IS OFF AT THE ELECTRICAL PANEL BOX BEFORE YOU ATTEMPT ANY REPAIRS. REFER TO THE SECTION ELECTRICAL CONNECTIONS.

SYMPTOM

Fan will not start

SOLUTION

- Check to make sure the wall switch is turned on.
- Check circuit fuses or breakers.
- Caution! Make sure the power is turned off before performing the following steps.
- Remove canopy and check wire connections.
- Check wall control transmitter connections(if applicable).
- Note:fan must be installed at a maximum distance of 40 feet from the transmitting unit for proper signal transmission between the transmitting unit and the fan's receiving unit.

TROUBLESHOOTING

SYMPTOM

Fan Sounds Noisy

SOLUTION

- Allow a 24 - hour "break in " period. Most noises associated with a new fan will go away during this time. Make sure the screws that attach the fan blade holder to the motor hub is tight.
- Make sure outlet box is secured to building structure, if necessary use the wood screws provided to further secure outlet box to joist.
- Make sure hanger bracket is secure to the outlet box, screws are tight.

SYMPTOM

Fan Wobble

SOLUTION

- Note: All blade sets are grouped by weight. Because wood and plastic blades vary in density, then fan may wobble even though blades are matched.
- Make sure outlet box is secured to building structure, if necessary use the wood screws provide to further outlet box to joist.
- Make sure hanger bracket is secure to the outlet box, screws are tight.
- If a Balancing kit is provided follow the instructions included with the balancing kit to help correct any excessive wobble.

SYMPTOM

Does not connect to WiFi home network.

SOLUTION

If you are having trouble completing the Bond Home connection with your ceiling fan, adjustments to your router settings may be needed please go to the Help Center section in the app under the Settings for additional information and support.

Wifi resetting

If you wish to clear the Wifi settings from the app for a specified fan, you may do so by going into the app settings and removing the desired device. This will clear any wifi settings saved onto the device, and will allow you to reconnect it elsewhere with new wifi settings.

SYMPTOM

Frequency Interference

SOLUTION

1. Turn the power off to your ceiling fan.
2. Please use a small size tool to change the frequency settings on the control system.
3. Return power to the unit.
Note: After the AC power is on, do not press any other button on the transmitter before pressing the "Stop" button, doing so will cause the procedure to fail.
4. Within 60 seconds of turning the Fan's AC power ON, Press the transmitter's "Stop" button and hold the "Stop" button for 10 seconds.
5. Once the receiver has detected the set frequency, the down light of your fan if applicable will blink three times, the fan will rotate.
(There is no indication if your fan is not equipped with a light) .
6. The receiver has now learn the frequency which has been selected on the transmitter. After completing the steps above, you should be able to operate the ceiling fan and light. If the fan is not responding to the transmitter, please turn the power off to the receiver, and repeat the process.

SPECIFICATIONS

These are typical readings. Your actual fan may vary. They do not include amps and wattage used by the light(s).

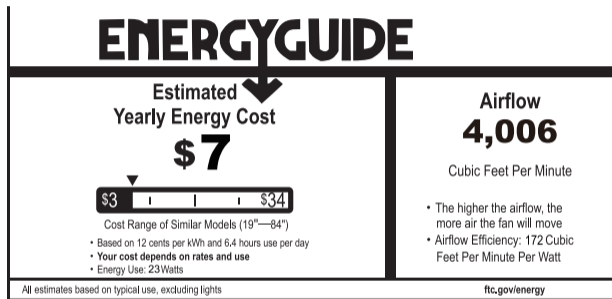
For any additional information about your Minka Aire® Ceiling fan, please write to:

Fan Size	Speed	Volts	Amps	Watts	RPM	N.W.	G.W.	C.F.
53"	Low	120	0.08	4.05	84	5.04	7.11	1.958
	High	120	0.30	35.11	187	kgs	kgs	



1860 Compton Ave, Corona, CA 92881 • For Customer Assistance Call: 1-800-307-3267

PERFORMANCE AND ENERGY INFORMATION



FAN SPEED	AIRFLOW (CFM)*	POWER USE (watts)	AIRFLOW EFFICIENCY (CFM/watt)
Low	2444	4.05	603.46
High	5384	35.11	153.35

Ceiling fan airflow is measured in cubic feet per minute (CFM). Power use is measured in watts. To maximize energy savings:

- Choose a fan with high airflow efficiency (CFM/watt).
- Use DOE -labeled lighting in your fan.
- Remember to switch off your fan when you leave the room.

* Measured according to the DOE approved Solid State test method

For any additional information about your Minka Aire® Ceiling fan, please write to:

1860 Compton Ave, Corona, CA 92881 • For Customer Assistance Call: 1-800-307-3267

