



M
MINKA
AIRE

SANDFELL

INSTRUCTION MANUAL WARRANTY CERTIFICATE

This product is protected by the United States Federal and/or State Law including Patent, Trademark, and /or Copyright Laws.

© 2026 Minka Lighting LLC. Manual design and all elements of manual design are protected by United States Federal and/or State Law including Patent, Trademark and/or Copyright Laws.



The Minka-Aire® warranty is for three (3) years from the date of purchase from an authorized Minka-Aire® dealer. This warranty is only valid to the original purchaser or user against all defects in material and workmanship (light bulbs excluded) for three (3) full years. Additionally, Minka-Aire® warrants the motor only for the lifetime of the Minka Aire ceiling fan (excluding wall controls and electrical components), to the original purchaser or user.

- * The warranty is voided with the use of any non- Minka-Aire® electrical devices, e.g., wall controls or electrical dimmer switches, etc...
- * The warranty is void once the original purchaser or user ceases to own the fan or the fan is moved from its original point of installation.
- * The warranty is void with the use of any hanger bracket (non-Minka Aire or non-fan specific) other than the hanger bracket supplied & installed with this specific fan.

Warranty Service Information

To obtain warranty service during the warranty period, the purchaser should return the fan with the sales receipt to the original place of purchase. The authorized Minka-Aire® dealer, at its sole discretion, will either repair or replace the fan after verifying the legitimacy of the warranty claim. Replacement is subject to availability of the same model. If the model is unavailable it will be replaced by one of equal value. This is a limited warranty; the original purchaser or user is responsible for the cost of removal and reinstallation of repaired or replacement product.

To obtain the name of the Minka-Aire® authorized dealer nearest you call the Minka-Aire® customer care department at 1-800-307-3267, or contact Minka-Aire® through www.minkagroup.net and select FAQ to answer any questions or if you require additional assistance submit the question form found there.

Date Purchased _____

Store Purchased _____

Model Number F841L

CONTENTS

SAFETY RULES	1	INSTALLING THE PLASTIC SHADE	10
PACKAGE CONTENTS	2	INSTALLING THE DOWN LIGHT GLASS SHADE	11
INSTALLING THE FAN	3	REPLACE THE UPPER LED BOARD - IF NECESSARY	12
HANGING THE FAN	4	OPERATING THE REMOTE CONTROL/WALL CONTROL	13
ELECTRICAL CONNECTIONS	5	PAIRING YOUR MATTER-ENABLED SMART FAN	14
FINISHING THE INSTALLATION	6	CARE OF YOUR FAN	15
ATTACHING THE FAN BLADES	7	TROUBLESHOOTING	16
INSTALLING THE LOWER HOUSING	8	SPECIFICATIONS	17
INSTALLING THE LIGHT PLATE AND THE LIGHT KIT ASSEMBLY.....	9		

M
MINKA
AIRE

1860 Compton Ave, Corona CA 92881 • For Customer Assistance Call: 1-800-307-3267



1

SAFETY RULES

1. Before you begin installing the fan, shut power off the circuit breaker of the fuse box.
2. Be cautious! Read all instructions and safety information before installing your new fan. Review accompanying assembly diagrams.
3. Make sure that all electrical connections comply with local codes, ordinance, or National Electrical Codes, ANSI/NFPA 70. Hire a qualified electrician or consult a do-it-yourself wiring handbook if you are unfamiliar with installing electrical wiring.
4. Make sure the installation site you choose allows the fan blades to rotate without any obstructions. Allow a minimum clearance of 7 feet from the floor and 18 inches from the top of the blades to the wall.
5. If you are mounting the fan to a ceiling fan outlet box, use a U.L Listed metal octagonal outlet box marked "Acceptable For Fan Support". Secure the box directly to the building structure. The outlet box and its support must be able to support the moving weight of the fan (at least 50 pounds). Do not use a plastic box.
6. Caution: To reduce the risk of injury use only the screws provided with the outlet box in conjunction with the lock washers provided with the fan.
7. If you are mounting the fan to a joist, make sure it is able to support the moving weight of the fan (at least 50 pounds).
8. After you install the fan, make sure that all mounting components are secured to prevent the fan from falling.
9. Do not insert anything into the fan blades while the fan is operating.
10. Turn the fan off and wait for the blades to stop completely before performing any maintenance or cleaning.

NOTE: The important safeguards and instructions appearing in this manual are not meant to cover all possible conditions and situations that may occur. It must be understood that common sense, caution and care are factors which cannot be built into this product. These factors must be supplied by the person(s) installing, caring for and operating the unit.

NOTE: READ AND SAVE ALL INSTRUCTIONS!

WARNING

TO REDUCE THE RISK OF FIRE, ELECTRIC SHOCK OR OTHER PERSONAL INJURY, MOUNT FAN ONLY TO A U.L LISTED OUTLET BOX OR SUPPORTING SYSTEM MARKED ACCEPTABLE FOR FAN SUPPORT AND USE MOUNTING SCREWS PROVIDED WITH THE OUTLET BOX IN CONJUNCTION WITH THE LOCK WASHERS PROVIDED WITH THE FAN. MOST OUTLET BOXS COMMONLY USED FOR THE SUPPORT OF LIGHTING FIXTURES ARE NOT ACCEPTABLE FOR FAN SUPPORT AND MAY NEED TO BE REPLACED. CONSULT A QUALIFIED ELECTRICIAN IF IN DOUBT.

TO REDUCE THE RISK OF PERSONAL INJURY, DO NOT BEND THE BLADE HOLDERS WHILE INSTALLING BALANCING THE BLADES OR CLEANING THE FAN. DO NOT INSERT FOREIGN OBJECTS BETWEEN ROTATING FAN BLADES.

TO REDUCE THE RISK OF FIRE OR ELECTRIC SHOCK, THIS FAN ONLY CAN USE FP8075H2MT SOLID-STATE SPEED CONTROL WITH RC700L REMOTE CONTROL ONLY.

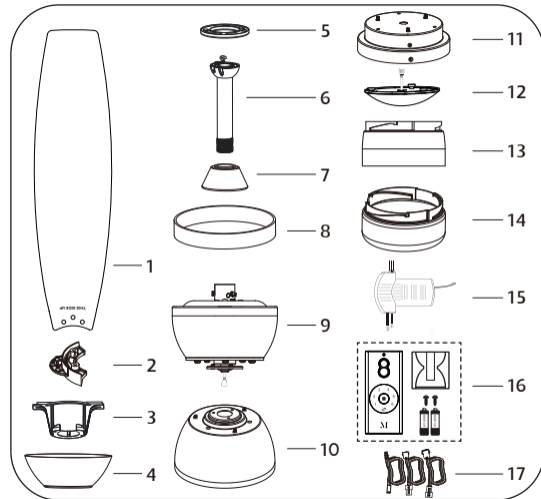
2

PACKAGE CONTENTS

Unpack your fan and check the contents. You should have the following items:

1. Fan blades (3)
2. Blade holders (3)
3. Hanger bracket
4. Canopy
5. Canopy cover
6. Standard downrod assembly (6")
7. Coupling cover
8. Up light glass shade
9. Fan motor/housing assembly
10. Lower housing
11. Light plate
12. Light kit assembly
13. Down light glass shade
14. Down light plastic shade
15. Receiver
16. Remote control with holder and 2 mounting screws and 1.5V AAA Battery (2)
17. Extension power cord (18+24+24 inch)

- A. Mounting hardware:
 Wire nuts(3)
 #8x3/4" Machine screws (2)
 #10x1.5" Wood screws (2)
 Star washers (2)
 Washers (2)
 Lock washers (2)
- B. Balancing kit
- C. Blade attachment hardware:
 3/16"x9mm Screws (9+1spare.)
- D. Blade holder attachment hardware:
 1/4 x12mm Screws (6preassembled
 + 1 spare)



INSTALLING THE FAN

Tools Required: Philips screw driver, slotted screw driver, step-ladder, wire cutters, electrical tape.

MOUNTING OPTIONS

If there isn't an existing mounting box, then read the following instructions. Disconnect the power by removing fuses or turning off circuit breakers.

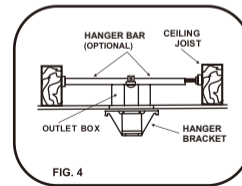
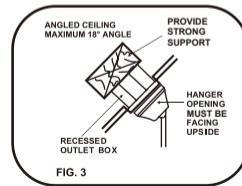
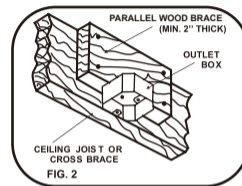
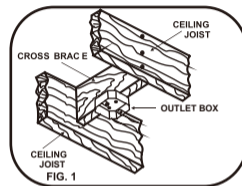
Secure the outlet box directly to the building structure. Use appropriate fasteners and building materials. The outlet box and its support must be able to fully support the moving weight of the fan (at least 50 lbs.). Use a UL listed metal outlet box.

Do not use a plastic outlet box.

Figure 1, 2 and 3 are examples of different ways to mount the outlet box.

Note: You may need a longer downrod to maintain proper blade clearance when installing on a steep, sloped ceiling. Longer downrods are available from your Minka-Aire® dealer.

To hang your fan where there is an existing fixture but no ceiling joist, you may need to install a hanger bar as shown in Fig. 4 (available at your Minka Aire® dealer or local hardware store).



4

HANGING THE FAN

WARNING: All of the parts, hardware and components such as the hanger bracket and hanger ball have been provided for your safety and the proper installation of your new ceiling fan. The use of other parts, hardware or components not supplied by Minka Aire® with the fan will void the Minka Aire® Warranty.

REMEMBER to turn off the power. Follow the steps below to hang your fan properly:

Step 1. Secure the Hanger Bracket to the ceiling outlet box using the screws provided with your outlet box in conjunction with the lock-washers provided with the fan. (Fig. 5)

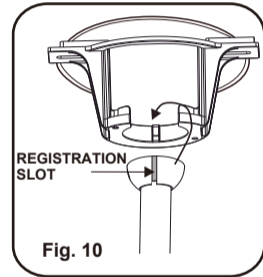
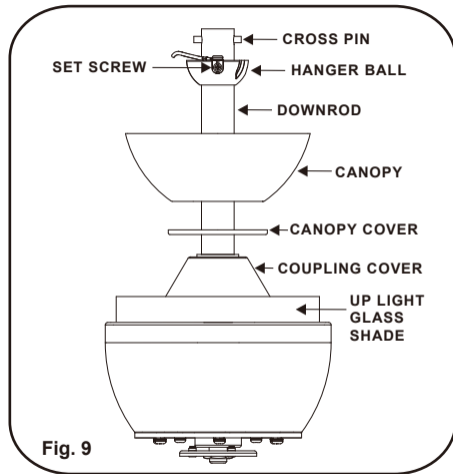
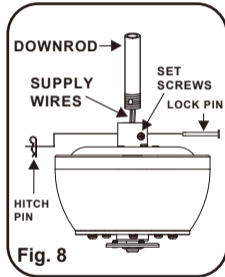
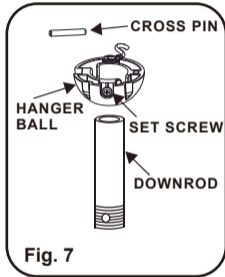
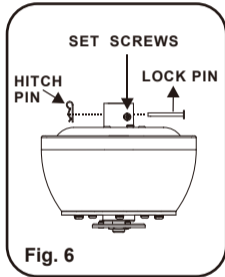
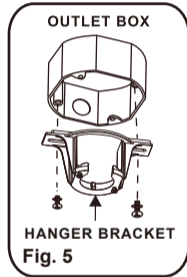
Step 2. Loosen the two Set Screws and remove the Hitch Pin and Lock Pin from the coupling located on the top of the Motor Assembly. (Fig. 6)

Step 3. Remove the Hanger Ball from the Downrod Assembly by loosening the Set Screw and removing the Cross Pin. (Fig. 7)

Step 4. Carefully feed fan wires up through the downrod. (Fig. 8) Thread Downrod into the Coupling until the holes are lined up and secure with the Lock Pin and Hitch Pin previously removed, tighten Set Screws. (Fig. 8)

Step 5. Slip Up Light Glass Shade, Coupling Cover, Canopy Cover and Canopy onto Downrod. Carefully re-install the Hanger Ball onto the Downrod being sure that it's properly positioned over the Cross Pin and the wires are not twisted, tighten Set Screw. (Fig. 9)

Step 6. Lift the Motor Assembly and place the Hanger Ball into the Hanger Bracket. Rotate the Motor Assembly as needed until the check groove from the Hanger Ball rests firmly over the registration tab from the Hanger Bracket. Motor Assembly should not rotate if this is done correctly. (Fig. 10)



ELECTRICAL CONNECTIONS

WARNING: The use of Dimming devices not compatible with ceiling fans will cause unwanted behavior including loud humming and will cause permanent damage to you fans electrical component.

WARNING: To avoid possible electrical shock be sure electricity is turned off at the main fuse or breaker box before wiring.

NOTE: The Aire Control[®] System is equipped with a learning frequency function which has 1024 code combinations to prevent potential interference from other remote units. The frequency on your Receiver and Transmitter units have been preset at the factory.(Fig. 11) No frequency change is necessary, should you desire to install another fan with in the same home or area with a seperate frequency code please see the "frequency interference" troubleshooting section of this instruction manual to learn how to change the frequency.

Step 1. Insert Receiver into Hanger Bracket with the flat side of the Receiver facing the ceiling. (Fig.12)

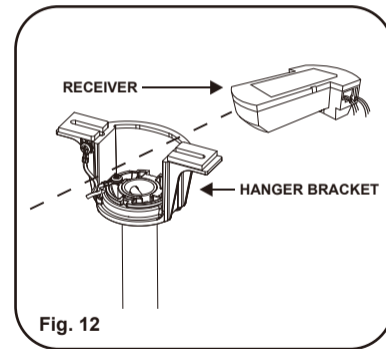
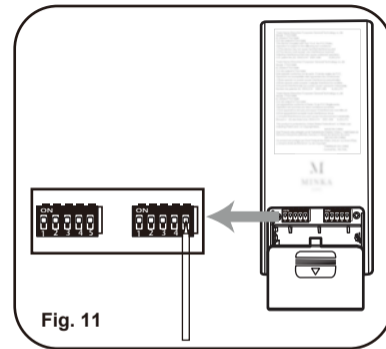
Step 2. Connect the up and down light kit male connectors from fan to the female connectors from the receiver.Plug the lead wire of fan (with 3P connector) into the receiver. (Fig.13)

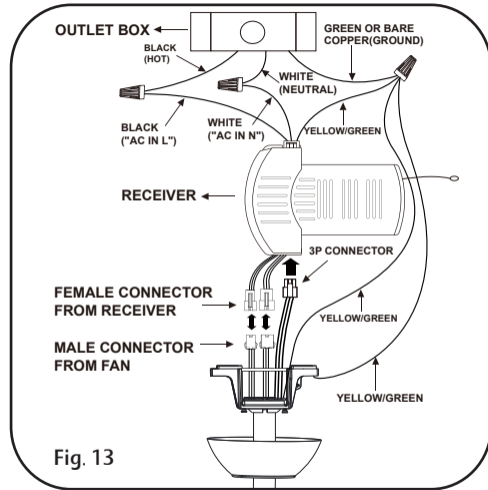
Step 3. Receiver to ceiling outlet box Connections: Connect the **WHITE** wire (Neutral) from the outlet box to the **WHITE** wire marked 'AC in N' from the receiver. Connect the **BLACK** wire (Hot) from the outlet box to the **BLACK** wire marked 'AC in L' from the receiver.Secure all wire connections with the plastic wire nuts provided. (Fig.13)

Step 4. If your outlet box has a **GROUND** wire (Green or Bare Copper) connect this wire to the Hanger Ball, Hanger Bracket and Receiver Ground wires. If your outlet box does not have a Ground wire, then connect the Hanger Ball, Hanger Bracket and Receiver Ground wires together. Secure wire connection with the plastic wire nut provided. (Fig. 13)

NOTE: Fan must be installed from a maximum distance of 40 feet from the transmitting unit for proper signal transmission between the transmitting unit and the fan's receiving unit.

After all splices are made, check to make sure there are no loose strands. As an additional precaution we suggest to secure the plastic wire connectors to the wires with electrical tape.





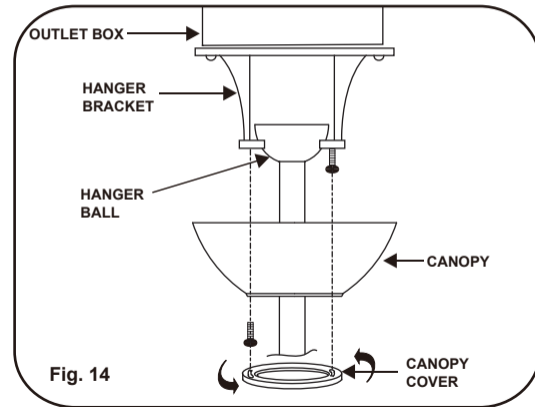
FINISHING THE INSTALLATION

Step 1. Remove 1 of the 2 screws from the bottom of the hanger bracket and loosen the other one half a turn from the screw head.

Step 2. Slide the canopy up towards the hanger bracket and place the key hole on the canopy over the screw on the hanger bracket, turn canopy until it locks in place at the narrow section of the key holes. (Fig. 14)

Step 3. Align the circular hole on canopy with the remaining hole on the hanger bracket, secure by tightening the 2 set screws.

NOTE: Adjust the canopy screws as necessary until the canopy and canopy cover are snug.



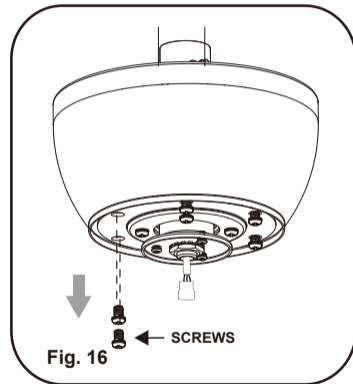
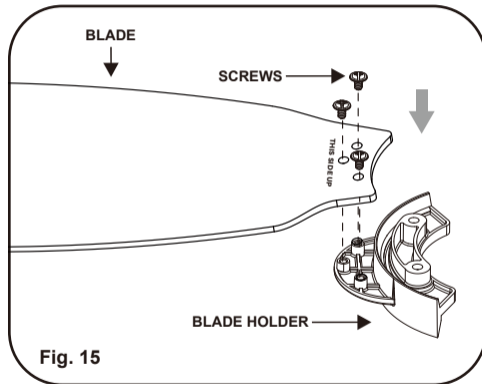
7

ATTACHING THE FAN BLADES

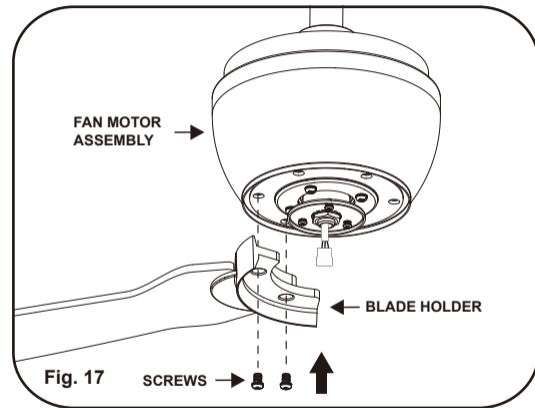
Step 1. Attach the fan blades to the blade holders by using 3 blade holder screws. Tighten screws securely. Repeat process with other blades. (Fig. 15)

NOTE: Please ensure the "This side up" mark on the fan blade faces the ceiling. Do not install the blade upside down. (Fig. 15)

Step 2. Remove the 6 blade screws from the fan motor assembly. (Fig. 16)



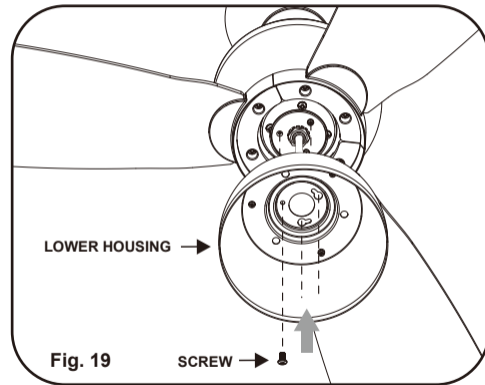
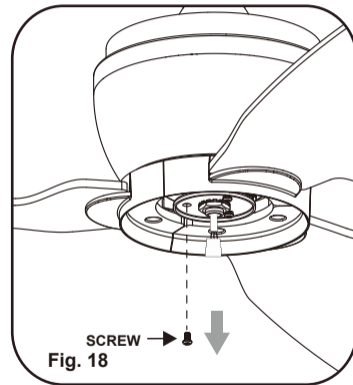
Step 3. Attach the blades with blade holders to the fan motor assembly by using 2 blade holder screws. Tighten screws securely. (Fig. 17)



INSTALLING THE LOWER HOUSING

Step 1. Remove 1 of 3 screws from the fan motor assembly and loosen the other 2 screws. (Do not remove) (Fig. 18)

Step 2. Place the key holes from the lower housing over the 2 screws previously loosened from the fan motor assembly, turn the lower housing until it locks in place at the narrow section of the key holes. Secure by tightening the 2 screws previously loosened and 1 previously removed. (Fig. 19)



INSTALLING THE LIGHT PLATE AND THE LIGHT KIT ASSEMBLY

NOTE: Before starting installation, make sure power is turned off at the circuit breaker.

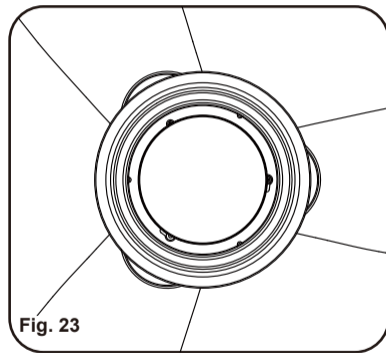
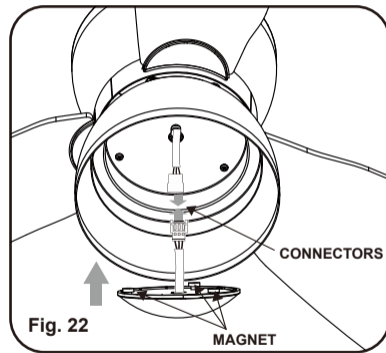
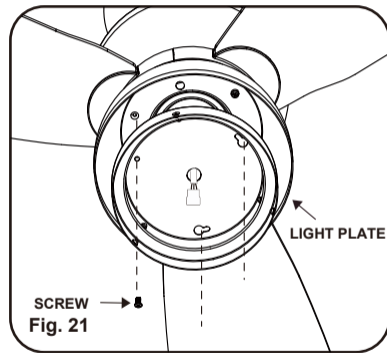
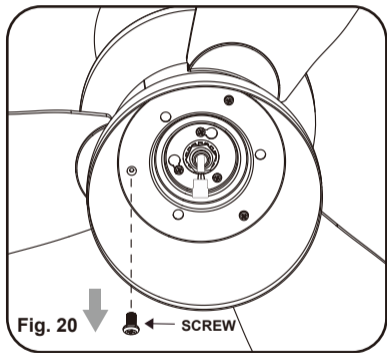
CAUTION: The light source is designed for this specific application and can overheat if serviced by untrained personnel. If any servicing is required, the product should be returned to an authorized service facility for examination or repair.

Step 1. Remove 1 of 3 screws from the lower housing and loosen the other 2 screws. (Do not remove) (Fig. 20)

Step 2. Place the key holes from the light plate over the 2 screws previously loosened from the lower housing, turn the light plate until it locks in place at the narrow section of the key holes. Secure by tightening the 2 screws previously loosened and 1 previously removed. (Fig. 21)

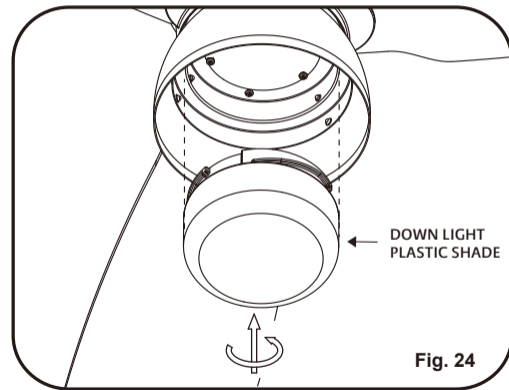
Step 3. While holding the light kit assembly under your fan, firmly snap the wire connection plugs together. (Fig. 22) Push the light kit assembly upward until the magnetic mechanism on its back securely attaches to the light plate. Adjust the position to ensure the assembly is centered-this is important for achieving even light distribution. (Fig. 23)

NOTE: This integrated light kit is capable of color changing light of 2700,3000,3500,4000 and 5000k.



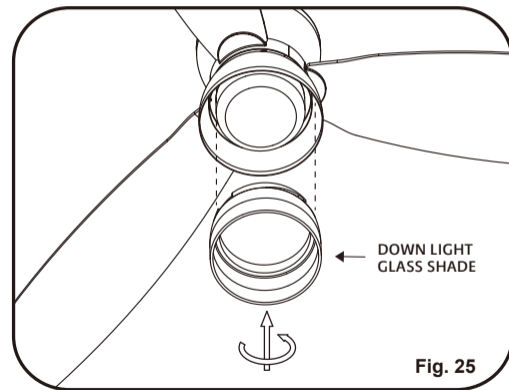
INSTALLING THE DOWN LIGHT PLASTIC SHADE

Step 1. Attach the down light plastic shade into the light kit assembly by twisting tightly.
(Fig. 24)



INSTALLING THE DOWN LIGHT GLASS SHADE

Step 1. Attach the down light glass shade into the light kit assembly by twisting tightly.
(Fig. 25)



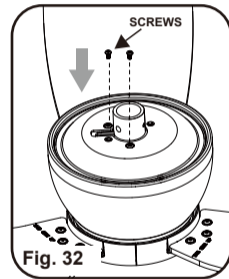
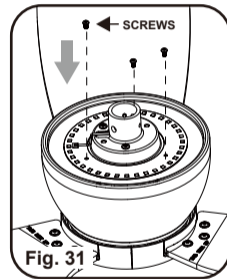
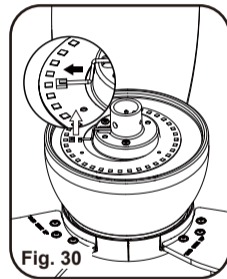
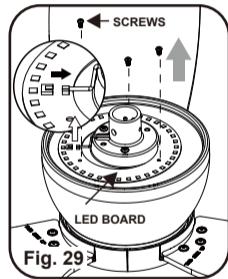
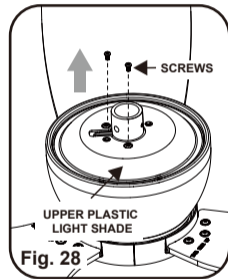
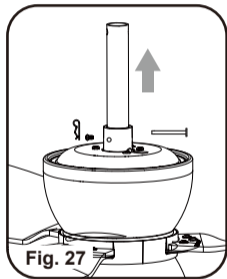
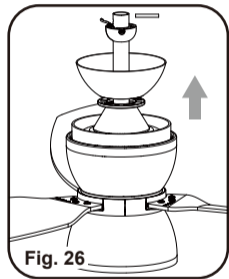
REPLACE THE UPPER LED BOARD - IF NECESSARY

Step 1. Remove the Hanger ball, canopy, canopy cover, coupling cover, up light glass shade, and downrod. (Fig. 26 & 27)

Step 2. To remove the upper plastic light shade, loosen and remove the two securing screws. (Fig. 28)

Step 3. Remove the 3 screws securing the LED board, disconnect the wire connector, and then detach the board to be replaced. (Fig. 29)

Step 4. Connect the new LED board, then secure it in place with the 3 screws previously removed. Reinstall the plastic light shade and fasten it using the 2 screws previously removed. (Fig. 30, 31, 32)



OPERATING THE REMOTE CONTROL/WALL CONTROL

Remote Control only: Install two AAA 1.5 volt batteries (included). To prevent damage to transmitter remove the battery if not used for long periods of time. IMPORTANT: THIS REMOTE CONTROL & DC FAN MOTOR ARE DESIGNED TO PERFORM A ONE TIME SELF CALIBRATION TEST. THIS TEST WILL BEGIN ONCE A NEW CODE HAS BEEN SET, AND WILL LAST APPROXIMATELY ONE MINUTE.

Your DC brushless motor is equipped with a self learning frequency function remote control. Restore power to ceiling fan and test the transmitter as below for proper operation:

A. 1, 2, 3, 4, 5 and 6 button:

These six buttons are used to set the fan speed as follows:

1 = minimum speed

2 = low speed

3 = medium low speed


4 = medium speed

5 = medium high speed

6 = high speed

B.  Reverse button:

This button is used to change the direction of the rotation of the blades; forward for warm weather or reverse for cool weather.

NOTE: When the power is on, and the ceiling fan is stopped, long-press the  reverse switch. A long beep will sound, indicating that the Matter pairing function has been triggered. Then, there will be continuous short beeps (lasting for two minutes). During the beeping period, you can perform Matter function pairing with the receiver.

C.  button:

This button turns the power Off to the Fan.


D.  Top Button:

This button turns the UP light ON or OFF and also control the brightness settings of the light. Press and release the button of the desired light to turn the light ON or OFF.

Press and hold the button to set the desired light brightness. The light will cycle between bright and dim setting as long as the button is pressed.

E.  Bottom Button:

This button turns the DOWN light ON or OFF and also control the brightness settings of the light. Press and release the button of the desired light to turn the light ON or OFF. Press and hold the button to set the desired light brightness. The light will cycle between bright and dim setting as long as the button is pressed.

F.  Top and Bottom Button:

Press and release the Top and Bottom button together to select the desired color temperature for both UP and DOWN lights.

NOTE: To change the color temperature of the lights press the Top & Bottom button once to cycle between the lights temperature. The lights must be powered on.

NOTE: The auto learning function will only mandate within 60 seconds when turning the fan's AC power ON.

1. Select desired frequency from the back of transmitter.

2. Press the transmitter's ' ■ ' button, and hold the ' ■ ' button for over 5 seconds. Once the receiver has detected the frequency, the fan will automatically begin to operate and start to run for 10 seconds. If a light kit is installed, the light will blink two times.

NOTE: During self calibration test, the remote will be non-function.

NOTE: The learning frequency function and self calibration test will continue to retain the last set frequency and calibration set even when the AC power is shut off. If the frequency is changed the self calibration test will occur again.

1. Lock position: The DC motor has a built-in safety against obstruction during operation. The motor will get locked operation and disconnect power after 30 seconds if interruption occurs.

2. Over 95W protection: When the receiver detects motor power consumption which is greater than 95W, the receiver's power will stop and operation will be immediately discontinued. Turn the receiver power on after 5 seconds.

Speed settings for warm or cold weather depend on factors such as room size, ceiling height and number of fans.

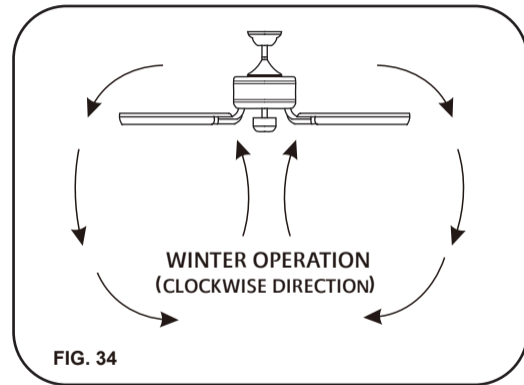
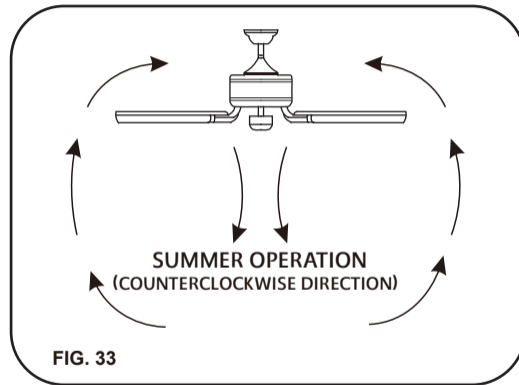
NOTE: To change the direction of the rotation of the blades the fan must be in operation mode.

Warm Weather (forward)

A **DOWNWARD** airflow creates a cooling effect as shown in Figure 33. This allows you to set your air conditioner on a warmer setting without affecting your comfort.

Cool Weather (Reverse)

An **UPWARD** airflow moves warmer air off the ceiling area as shown in Figure 34. This allows you to set your heating unit on a cooler setting without affecting your comfort.



PAIRING YOUR MATTER-ENABLED SMART FAN

Pairing Requirements:


- Complete the installation and check all fan functionalities using the handheld remote control.
- Requires 2.4GHz Wi-Fi connection. Ensure that your phone or tablet is on the same network as your matter hub and that bluetooth is enabled on your device for pairing.
- Requires the use of a matter-compatible app (such as Apple Home, Amazon Alexa or Google Home) and a matter-compatiblesmart home hub (such as Google Nest Hub, Amazon Echo or Apple Home Pod or Apple TV).

Pairing Steps:

1. Open your chosen smart home app and add a new device according to the app instructions.



Find the Minka Aire
Matter Pairing Guide
here for details and
troubleshooting.

2. While the fan is stopped, activate fan pairing mode by pressing and holding the reverse button  on the handheld remote. The fan will beep to indicate pairing mode and will remain in pairing mode for 2 minutes, indicated by intermittent beeping.
3. When prompted by the app, scan the device-specific Matter QR code found on the inside the handheld remote battery cover (FIG 35), affixed to the receiver, as well as the Matter Pairing Quick Start Guide in the box.
4. Follow instructions in the app to complete set up process.



CARE OF YOUR FAN

Here are some suggestions to help maintain your fan.

1. Because of the fan's natural movement some connections may become loose. Check the support connections, brackets and blade attachment twice a year. Make sure they are secure. (It is not necessary to remove fan from the ceiling).
2. Clean your fan periodically to help maintain its new appearance over the years. Use only a soft brush or lint free cloth to avoid scratching the finish. Plated finishes are sealed with lacquer to minimize discoloration or tarnishing.
Do not use water when cleaning, this could damage the motor, wood blades or possibly cause an electrical shock.
3. Use a lint free lightly damp cloth or duster to remove dust from the blades.

4. There is no need to oil your fan. The motor has permanently lubricated bearings.

5. If your fan is provided with glass shades, clean with lukewarm soapy water and a soft cloth or sponge. **DO NOT IMMERSE GLASS SHADES IN HOT WATER. DO NOT PUT GLASS SHADES INTO AN AUTOMATIC DISHWASHER.**

WARNING

MAKE SURE THE POWER IS OFF AT THE ELECTRICAL PANEL BOX BEFORE YOU ATTEMPT ANY REPAIRS. REFER TO THE SECTION "ELECTRICAL CONNECTIONS".

SYMPTOM

Fan will not start

SOLUTION

- Check to make sure the wall switch is turned on.
- Check circuit fuses or breakers.
- Caution! Make sure the power is turned off before performing the following steps.
- Remove canopy and check wire connections.
- Check wall control transmitter connections(if applicable).
- Note:fan must be installed at a maximum distance of 40 feet from the transmitting unit for proper signal transmission between the transmitting unit and the fan's receiving unit.

SYMPTOM

Fan Sounds Noisy

SOLUTION

- Allow a 24 - hour "break in" period. Most noises associated with a new fan will go away during this time.
- Make sure the screws that attach the fan blade holder to the motor hub is tight.
- Make sure outlet box is secured to building structure, if necessary use the wood screws provided to further secure outlet box to joist.
- Make sure hanger bracket is secure to the outlet box,screws are tight.

SYMPTOM

Fan Wobble

SOLUTION

- NOTE: All blade sets are grouped by weight. Because wood and plastic blades vary in density, the fan may wobble even though blades are matched.
- Make sure outlet box is secured to building structure, if necessary use the wood screws provided to further secure outlet box to joist.
- Make sure hanger bracket is secure to the outlet box, screws are tight.
- If a Balancing kit is provided follow the instructions included with the balancing kit to help correct any excessive wobble.

SYMPTOM

Fans/Light Turn on and Off Unexpectedly

SOLUTION

- This is caused by interference. Please see "frequency interference" for step to change the frequency.

SYMPTOM

Frequency Interference

SOLUTION

1. Turn the power off to your ceiling fan.
2. Please use a small size tool to change the frequency settings on the control system.
3. Return power to the unit.

Note: After the AC power is on, do not press any other button on the transmitter before pressing the "Stop" button, doing so will cause the procedure to fail.

4. Within 60 seconds of turning the fan's AC power ON. Press the transmitter's "Stop" button and hold the "Stop" button for 5 seconds.
5. Once the receiver has detected the set frequency, the down light of your fan if applicable will blink twice. (there is no indication if your fan is not equipped with a light).
6. The receiver has now learn the frequency which has been selected on the transmitter. After completing the steps above, you should be able to operate the ceiling fan and light. If the fan is not responding to the transmitter. please turn the power off to the receiver, and repeat the process.

SYMPTOM

Does not connect to WiFi home network.

SOLUTION

If you are having trouble completing the connection first ensure that you have an updated, matter-enabled smart home hub and it's on the same 2.4GHz wi-fi network as the device you are using to pair to the ceiling fan. If you need additional support please go to www.minka.com/resources.html for the Matter Pairing Guide or reach out to Minka customer service team for help.

Wifi resetting

If you wish to clear the Wifi setting from the app for a specified fan. You may do so by going into the app settings and removing the desired device. This will clear any wifi settings saved onto the device, and will allow you to reconnect it elsewhere with new wifi settings.

SPECIFICATIONS

17

These are typical readings. Your actual fan may vary. They do not include amps and wattage used by the light (s).

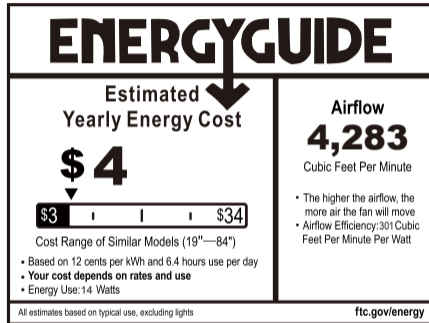
For any additional information about your Minka Aire® Ceiling fan, please write to:

Fan Size	Speed	Volts	Amps	Watts	RPM	N.W.	G.W.	C.F.
56"	Low	120	0.06	2.01	57	6.45	8.90	1.82
	High	120	0.19	22.76	152	kgs	kgs	



1860 Compton Ave, Corona CA 92881 • For Customer Assistance Call: 1-800-307-3267

PERFORMANCE AND ENERGY INFORMATION



FAN SPEED	AIRFLOW (CFM)*	POWER USE (watts)	AIRFLOW EFFICIENCY (CFM/watt)
Low	2202	2.01	1096
High	6118	22.76	269

Ceiling fan airflow is measured in cubic feet per minute (CFM). Power use is measured in watts. To maximize energy savings:

- Choose a fan with high airflow efficiency (CFM/watt).
- Use ENERGY STAR®-labeled lighting in your fan.
- Remember to switch off your fan when you leave the room.

* Measured according to the ENERGY STAR® approved Solid State test method

For any additional information about your Minka Aire® Ceiling fan, please write to:

1860 Compton Ave, Corona CA 92881

- For Customer Assistance Call: 1-800-307-3267

M
MINKA
AIRE