

INSTALLATION INSTRUCTIONS

Item# N1526-860

READ AND SAVE THESE INSTRUCTIONS

WARNING! SHUT POWER OFF AT FUSE OR CIRCUIT BREAKER.
VERTISEMENT! COUPER LE COURANT AU NIVEAU DES FUSIBLES OU DU DISJONCTEUR.

ASSEMBLING THE FIXTURE (Fig.1&2)

- 1) Shut off power at the fuse box or circuit breaker and remove the old fixture including the mounting hardware.
- 2) Carefully unpack your new fixture and lay out all the parts in a clean area. Ensure not to misplace any small part necessary for installation.
- 3) Thread all thread (D) into crossbar (A) by using washer (B) and hex nut (E) provided. Note: The length of all thread (D) into crossbar (A) may be adjusted if necessary.
- 4) Take the crossbar assembly and mount to junction box (JB) (*not provided*) with #8-32 junction box screws (C). The side of crossbar (A) marked "GND" must be face out.

HANGING THE FIXTURE (Fig.1&2)

- 5) When assembling the main frame, slip the wire of frame into the stem rod (R), then to sub canopy (P) and brass loop (O).
- 6) Slip the wire into chain (N) then to quick link (M), and to loop (J) and canopy (F)
- 7) The support cable (SC) is provided to support the weight of the fixture while wiring. Align the fixture to mounting plate (A) and attach hook (HK) on the end of support cable (SC) into a slot located on mounting plate (A). Carefully allow the support cable (SC) to support the weight of the fixture while wiring

CONNECTING THE WIRE (Fig. 2)

- 8) Connect the electrical wire as shown in Fig. 3, making sure that all the wire connectors are secured. If your junction box has a ground wire (green, or bare copper), connect fixture's ground wire to it. Otherwise, connect fixture's ground wire directly to crossbar (A) using green screw provided.
- 9) Tuck wire connections neatly into junction box (JB).
- 10) To mount the fixture to the ceiling, first slip all thread (D) through the mounting holes (L) in the canopy (F) and secure with finial (K). (Fig. 2)

ACCESSORIES INSTALLATION (Fig. 1)

- 11) Attach the hook of 4 stems (R) onto the hook of sub-canopy (P) and the hook of frame.
- 12) To begin installing the accessories unwrap the ceramic wavy disc (I) from the packing.
- 13) To begin installing, place the hole of the ceramic wavy disc (I) into the threaded round tube (H) (with arrow) and secure with rubber washers provided and (G). Do not over tighten. We have 4 kinds of ceramics (A,B,C,D)
- 14) Repeat the process until completed.

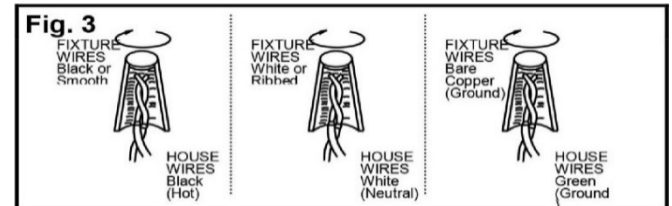
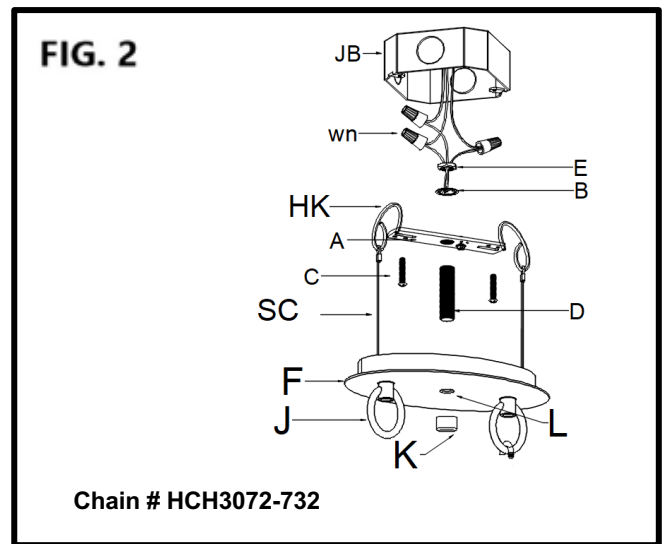
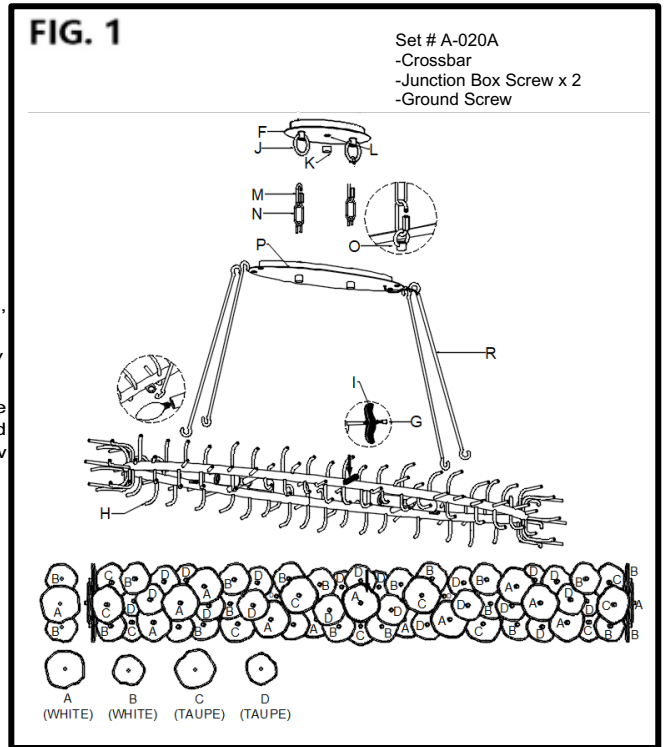
FINISHING THE FIXTURE (Fig. 1)

- 15) Install (4) four candelabra base bulbs up to 60 watts each or CFL or LED equivalent (not included) in accordance with the fixture specifications.

DO NOT EXCEED THE MAXIMUM WATTAGE RATING!
(NE PAS DEPASSER LA PUISSANCE NOMINALE MAXIMALE!)

Your installation is now complete. You can now turn the power ON and test the fixture.

Note: Illustration (Fig. 1) on this manual is for installation purposes only. It may or may not be identical to the fixture purchased.



Notice: It is important to use proper chain pliers (not included) To OPEN and CLOSE the chain included with this fixture. Do not open them with other tools that may twist or stress the chain links. It is important to use proper chain pliers like the ones shown in the diagram.

