

INSTALLATION INSTRUCTIONS

Item#N1546 (New. 2026/03/26)

READ AND SAVE THESE INSTRUCTIONS

WARNING! SHUT POWER OFF AT FUSE OR CIRCUIT BREAKER.

AVERTISSEMENT! COUPER LE COURANT AU NIVEAU DES FUSIBLES OU DU DISJONCTEUR.

MOUNTING THE FIXTURE (Fig.1)

1. Shut off the power at the circuit breaker and remove the old fixture, including the mounting hardware.
2. Carefully unpack your new fixture and lay out all the parts on a clean area. Take care not to lose any small parts necessary for installation.
3. Determine the desired hanging height and thread rods (I & H) to coupling on fixture (J). Carefully feed wires through each rod as you assemble. Note: Remove the all thread, if installing with one 6" rod only.
4. Install the swivel (E1) onto the top of rod (H).
5. Place strip plate (E2) over swivel (E1), secure with hex nut (E4).
6. Place canopy (E) and lock washer (E3) over swivel (E1), secure with hex nut (E4).
7. Position mounting plate (A) on the ceiling and mark locations for anchors (C). Pre-drill holes and Insert plastic anchors (C) into the ceiling.
8. Install a 1/4" IPS pipe (not provided) with one end securely mounted to a beam of a structural member. The other end should protrude through the center of the outlet box as shown. Use hex nut (L) and washer (K) to secure the hickey (F) onto the 1/4" IPS pipe (not provided).
9. Attached mounting plate (A) to outlet box (Not included) using outlet Box screws (B) (Size: #8-32N*L1"). The side of mounting plate (A) marked with "GND" must face out. Secure mounting plate (A) by inserting wood screws (D) through holes on mounting plate into the plastic anchors (C).
10. Feed the fixtures wires and safety cable through swivel (E1), canopy (E) and mounting plate (A). Run safety cable through the side hole of the hickey (F) or structure beam and wrap a circle to secure with set screw assembly and set screw provided. (Fig.1).

CONNECTING THE WIRES (Fig. 2)

11. Connect the electrical wires as shown in fig.2, making sure that all wire connectors are secured. If your outlet box has a ground wire (green or bare copper), connect the fixture's ground wire to it. Otherwise, connect the fixture's ground wire directly to mounting plate (A) using the ground screw provided.
12. Tuck the wire connectors neatly into the outlet box.

FINISHING THE INSTALLATION (Fig.1)

13. Raise canopy (E) over mounting plate (A) and secure with finials (G).
14. Install (8) eight medium base bulbs up to 60 watts or CFL or LED equivalent (not included) in accordance with the fixture specification. —**DO NOT EXCEED THE MAXIMUM WATTAGE RATING! (NE PAS DEPASSER LA PUISSANCE NOMINALE MAXIMALE!**

Fig. 1

Set# W35-H-868 x 2pc
- Outlet Box Screw*2 W35-1-868 x 6pcs
-Ground Screw
-Mounting plate
-Wood screws*2
-Plastic anchors*2

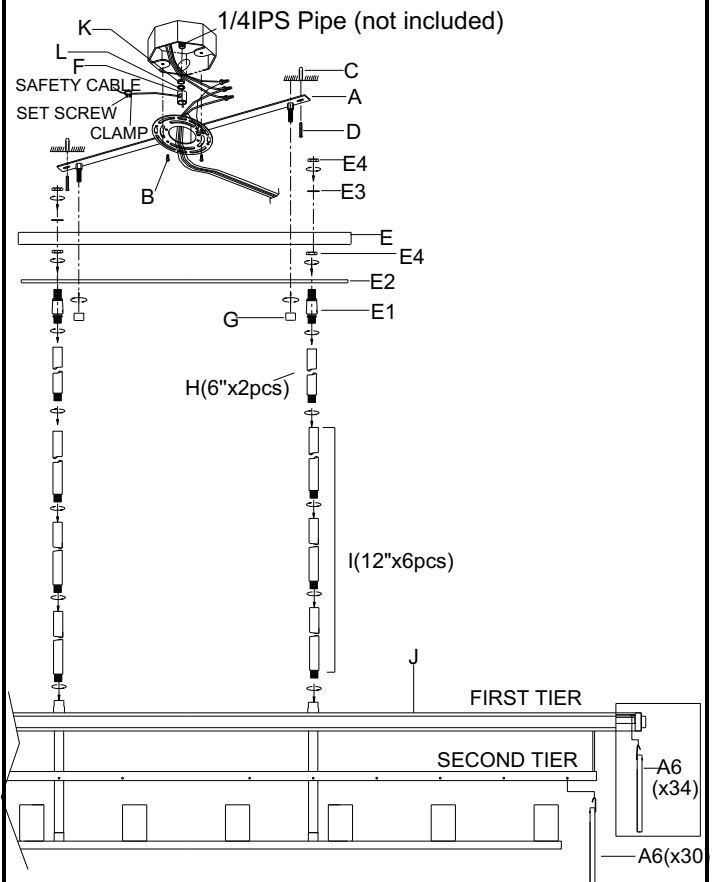
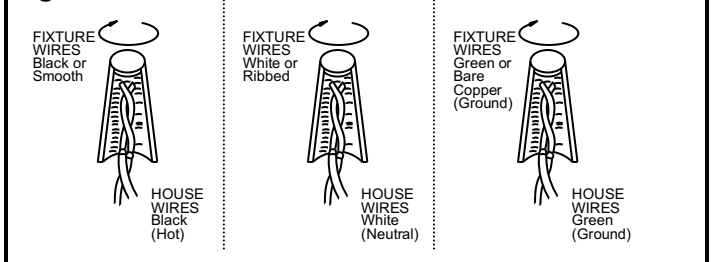


Fig. 2



Page 1/3

N1546

american lighting association

15. Hook marble pieces (A6) to second tier of the fixture (J).
16. Hook marble pieces (A6) to first tier of the fixture (J).

Your installation is now complete. Return power and test the fixture.

Note: Illustration (Fig.1) on this manual is for installation purposes only. It may or may not be identical to the fixture purchased.

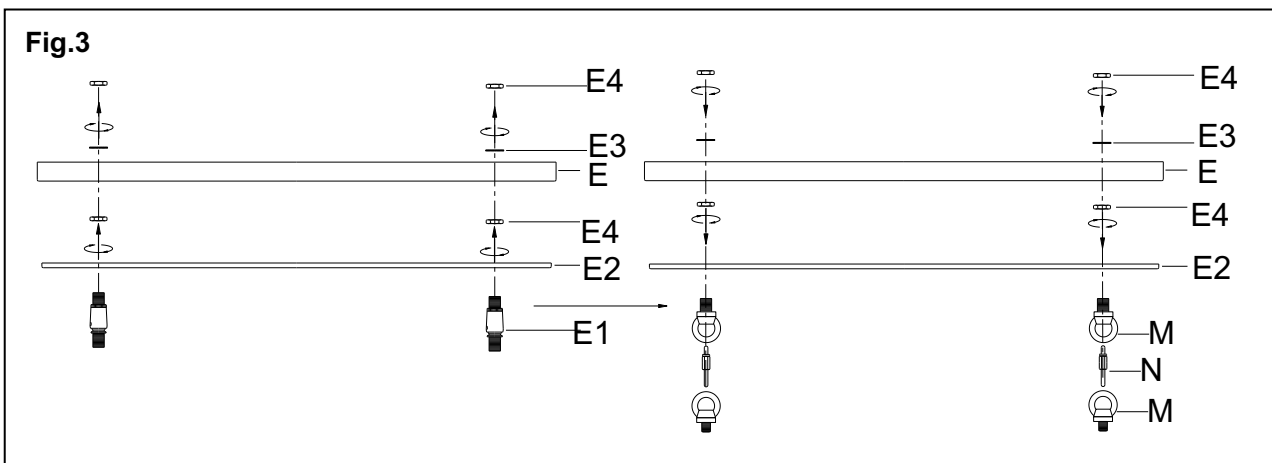
This Luminaire must be mounted or supported independently of an outlet box

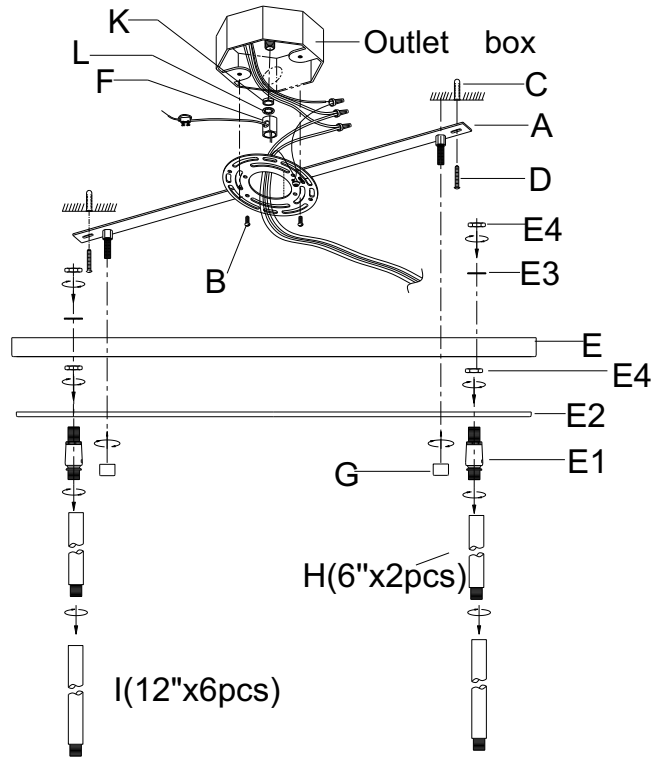
IMPORTANT: Fixture should be installed by a qualified electrician to ensure proper wiring and installation.

ATTENTION: You have purchased a product made with natural materials. It will exhibit naturally formed pits, voids, surface imperfections, and coloring variations not controlled by manufacturing. The appearance of natural materials can be affected by household cleansers and dirt. Please test any intended cleansers in an obscure location before applying to the visible surfaces.

Replace swivel to be loop system (Fig.3)

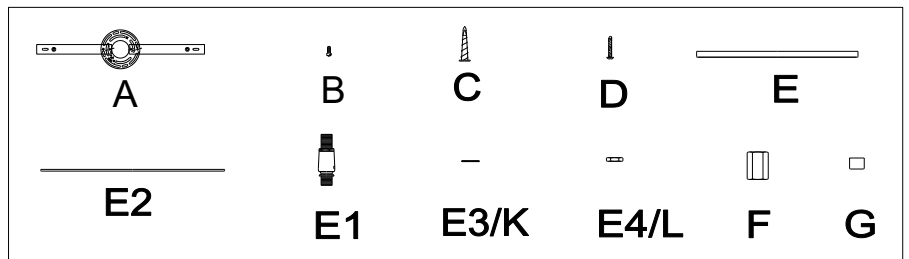
1. Unthread nut (E4), then remove lock washer (E3) and canopy (E). Unthread nut (E4), then remove strip plate (E2) and swivel (E1).
2. Place strip plate (E2) over loops (M), securing with hex nut (E4). Then place canopy (E) and lock washer (E3) onto protruding all thread at top of loop (M), securing with hex nut (E4).
3. Attach the loop (M) with rod (H/I) and connect 2 loops (M) with quick links (N).





a. Hardware Bag:

- A. Mounting plate *1
- B. Outlet Box Screws *2
- C. Plastic anchors*2
- D. Wood Screws *2
- E. Canopy *1
- E2. Strip plate *1
- E1. Swivels *2
- E3/K. Lock washers*3
- E4/L. Hex nuts *5
- F. Hickey *1
- G. Finials*2



b. Hardware Bag:

- I. Rod 12" *6
- H. Rod 6" *2

