

INSTALLATION INSTRUCTIONS

Item# N1836-870

READ AND SAVE THESE INSTRUCTIONS

WARNING! SHUT POWER OFF AT FUSE OR CIRCUIT BREAKER.
VERTISEMENT! COUPER LE COURANT AU NIVEAU DES FUSIBLES OU DU DISJONCTEUR.

ASSEMBLING THE FIXTURE (Fig.1&2)

- 1) Shut off power at the fuse box or circuit breaker box and remove the old fixture including the mounting hardware.
- 2) Carefully unpack your new fixture and lay out all the parts in a clean area. Ensure not to misplace any small part necessary for installation.
- 3) Determine the desired hanging height and discard the excess chain.
Note: 2x quick links (K) are provided and they must be attached to both end of chain (L).
- 4) When assembling the main frame, slip the wire of distributor (O) and safety cable into the center stem (N), and attach the center stem (N) on the upper frame, and lock with knurled nut.
- 5) Slip the wire and safety cable into the stem (M) with loop (G) then into chain (L), then to quick link (K), and to loop (G) and canopy (F).

HANGING THE FIXTURE (Fig.1&2)

- 6) Installed 1/4 IPS (nipple) pipe "not provided" with one end securely mounted to a beam of a structural member. The other end should protrude through center of the outlet box as shown. Thread Hickey (HK) on the 1/4 IPS pipe and tighten with lock washer (E) and hex nut (B).
- 7) Using the crossbar as template to mark 4 anchors, then drill 4 holes in the ceiling and insert 4 anchors (H).
- 8) Pass the wires and safety cable through the hole on the crossbar (A). The safety cable pass through the side of the hickey (HK), wrap it a circle to secure with set screws.

CONNECTING THE WIRE (Fig. 3)

- 9) Connect the electrical wire as shown in Fig. 3, making sure that all the wire connectors are secured. If your junction box has a ground wire (green, or bare copper), connect fixture's ground wire to it. Otherwise, connect fixture's ground wire directly to crossbar (A) using green screw provided.
- 10) Tuck wire connections neatly into junction box (JB).
- 11) Take the crossbar (A) and mounting it to the ceiling with 4 wood screws (C) and tighten.
- 12) To mount the fixture to the ceiling, first slip the all thread (D) attached on the crossbar assembly (A) through the holes (I) of canopy (F) and secure with 2 finials (J). (Fig. 2)

ACCESSORIES INSTALLATION (Fig. 4)

- 13) To begin installing the accessories unwrap the accessories strands (Q), (R), (S) and (T) from the packing.
- 14) Place the pin of the first accessories strands (Q) into the hole of the top frame then the first strand of accessories strand (R).
- 15) Repeat the process until completed.
- 16) Place the pin of the first accessories strands (S) into the hole of the bottom frame then the first strand of accessories strand (T)
- 17) Repeat the process until completed.

FINISHING THE FIXTURE (Fig. 1)

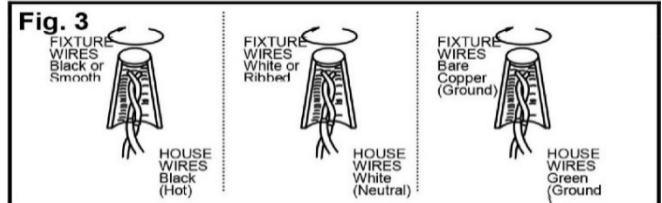
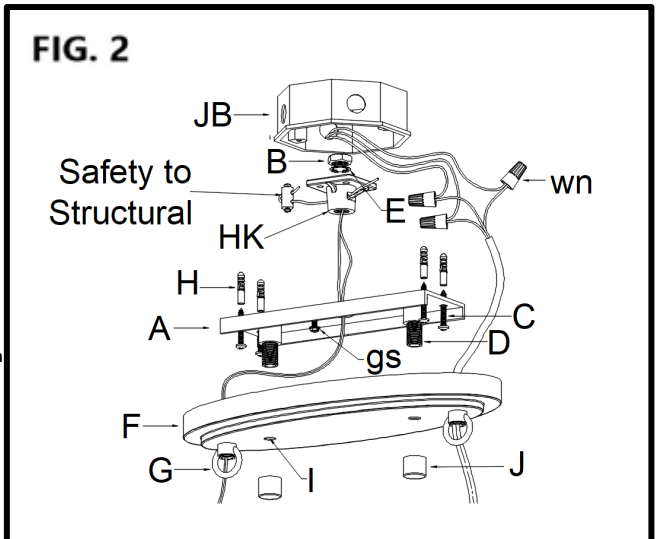
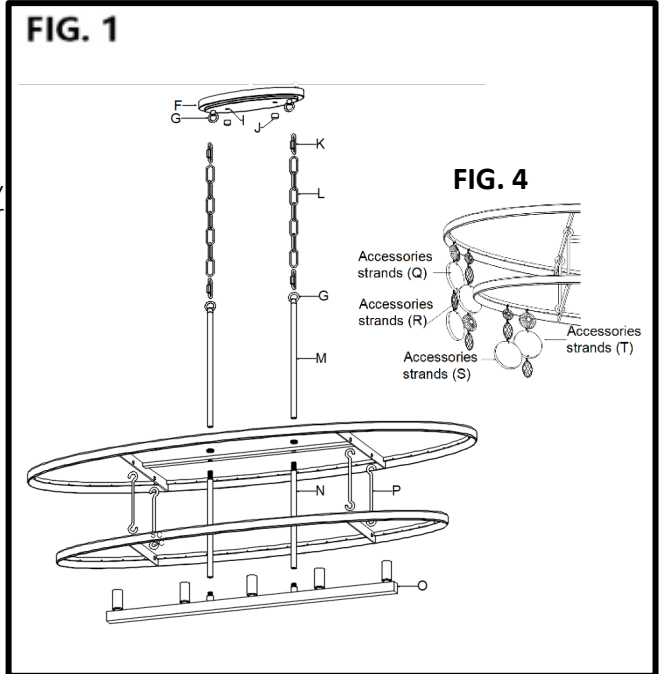
- 18) Install (5) five candelabra base bulbs up to 60 watts each or CFL or LED equivalent (not included) in accordance with the fixture specifications.

DO NOT EXCEED THE MAXIMUM WATTAGE RATING!
(NE PAS DEPASSER LA PUISSANCE NOMINALE MAXIMALE!)

Your installation is now complete. You can now turn the power ON and test the fixture.

Note: Illustration (Fig. 1) on this manual is for installation purposes only. It may or may not be identical to the fixture purchased.

WARNING: This luminaire must be mounted or supported independently of an outlet box.



Notice: It is important to use proper chain pliers (not included) To OPEN and CLOSE the chain included with this fixture. Do not open them with other tools that may twist or stress the chain links. It is important to use proper chain pliers like the ones shown in the diagram.

