

INSTALLATION INSTRUCTIONS

Item#N3145-MX-732

READ AND SAVE THESE INSTRUCTIONS

WARNING! SHUT POWER OFF AT FUSE OR CIRCUIT BREAKER.

AVERTISSEMENT! COUPER LE COURANT AU NIVEAU DES FUSIBLES OU DU DISJONCTEUR.

PREPARATION (Fig.1)

1. Shut off power at the fuse box or circuit breaker box and remove the old fixture including the mounting hardware.
2. Carefully unpack your new fixture and lay out all the parts in a clean area. Take care not to misplace any small parts necessary for installation.
3. Position mounting plate (C) over ceiling and mark location of four holes on mounting plate (C) where plastic anchors (B) will be inserted. Drill holes into ceiling and insert plastic anchor (B)
4. Install a 1/4" IPS pipe (Y1) (not provided) with one end securely mounted to a beam of a structural member. The other end should protrude through the center of the outlet box as shown.
5. Secure the hex nut (Y2) onto the pipe (Y1) and then secure the hickey (Y3) tightly.
6. Feed the fixtures wires and safety cable (F) through the mounting plate (C) and allow safety cable (F) to exit through the side of hickey (Y3). Run safety cable (F) through the hickey (Y3) one circle and secure safety cable (F) with set screw assembly and set screw.
7. Attach mounting plate(C) to the junction box (not included) with mounting screws (E) (Size: #8-32N*L1/2"). The side of the mounting plate (C) with "GND" marked on it and two convex points must face out. And install the eight wood screws (D) into the plastic anchors(B).

CONNECTING THE WIRES (Fig. 2)

8. Connect the electrical wires as shown in Fig 2, making sure that all wire connectors are secured. If your junction box has a ground wire (green or bare copper), connect fixture's ground wire to it. Otherwise, connect fixture's ground wire directly to the mounting plate (C) using green screw provided.
9. Tuck wire connectors neatly into the junction box.

COMPLETING THE INSTALLATION (Fig. 1)

10. Raise fixture up to ceiling, align the holes of canopy (G) with the screws on the mounting plate (C), then secure with cap nuts (H).
11. Install (7) seven candelabra base bulbs up to 60 watts each or CFL or LED equivalent (not included) in accordance with the fixture specification—**DO NOT EXCEED THE MAXIMUM WATTAGE RATING! (NE PAS DEPASSER LA PUISSANCE NOMINALE MAXIMALE!)**
12. Starting from the center, attach the glass (A) onto the center of the frame. Then attach glass (A/B/C) to Tier#1 and Tier#2, finally attach glass (A/B/C) to Tier#3. Please install the glasses as shown in Fig.1.

Your installation is now complete. Return power to the junction box and test the fixture.

Fig.1

Set#A-020-450D

- Mounting plate
- Ground screw
- Mounting screws(2)
- Wood screws(8)
- Plastic Anchors(8)

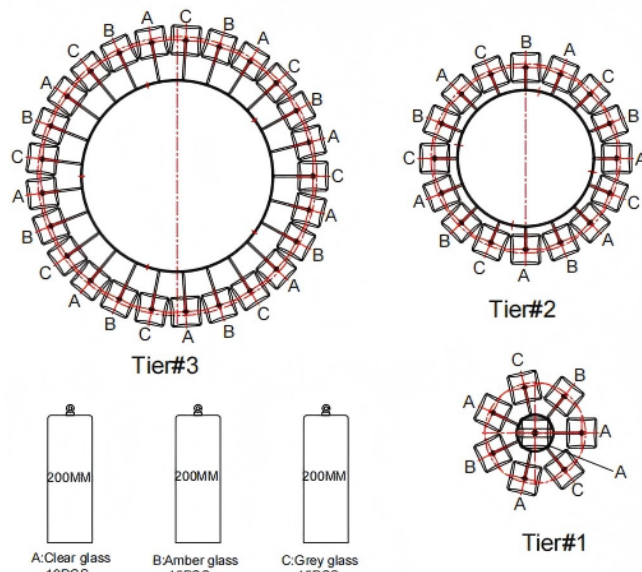
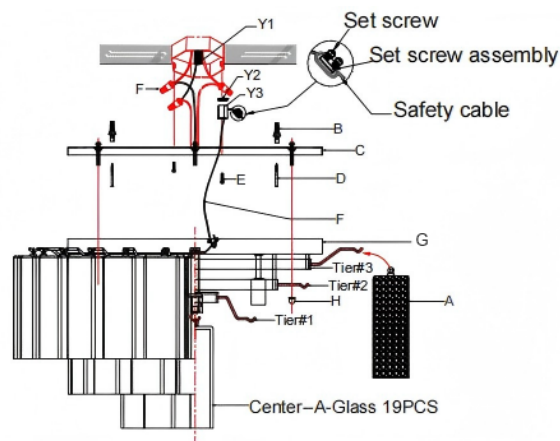
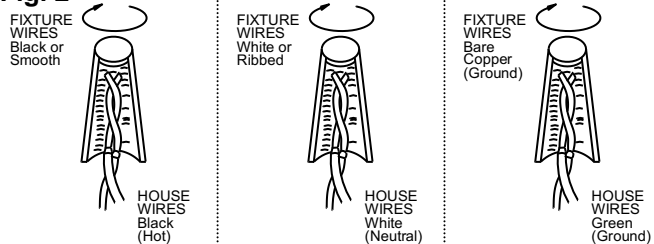


Fig. 2



THIS LUMINAIRE MUST BE MOUNTED OR SUPPORTED INDEPENDENTLY OF AN OUTLET BOX

