

INSTALLATION INSTRUCTIONS

Item#P1704-613/647 (New.03/01/2012)

READ AND SAVE THESE INSTRUCTIONS

WARNING! SHUT POWER OFF AT FUSE OR CIRCUIT BREAKER.

AVERTISSEMENT! COUPER LE COURANT AU NIVEAU DES FUSIBLES OU DU DISJONCTEUR.

MOUNTING THE BACKPLATE (Fig.1)

1. Shut off the power at the circuit breaker and remove the old fixture, including the mounting hardware.
2. Carefully unpack your new fixture and lay out all the parts on a clear area. Take care not to lose any small parts necessary for installation.
3. Attach the crossbar to the junction box with mounting screws (size: #8-32N*L0.5"). The side of the Crossbar marked "GND" must face out.
4. Thread the nipple part way into the center hole of the crossbar. Note: The length of the nipple into the crossbar may be adjusted if necessary.

CONNECTING THE WIRES (Fig. 2)

5. At this point, connect the electrical wires as shown in Fig. 2, making sure that all wire connectors are secured. If your outlet box has a ground wire (green or bare copper), connect the fixture's ground wire to it. Otherwise, connect the fixture's ground wire directly to the mounting plate using the green screw provided. After wires are connected, tuck them carefully inside the junction box.

MOUNTING FIXTURE AND SHADE

6. Place the glass shade (B) over the fixture body (D) and secure with screws (A).
7. Place the fixture body (D) over the nipple and secure with cap nut (C).
8. Install the A19 1*100W (MED BASE) light bulb (not included) in accordance with fixtures specifications. **(DO NOT EXCEED MAXIMUM WATTAGE RATING!) (NE PAS DEPASSER LA PUISSANCE NOMINALE MAXIMALE!)**

Your installation is now complete. Return power to the junction box and test the fixture.

Note: Illustration (Fig.1) on this manual is for installation purposes only. It may or may not be identical to the fixture purchased

Fig. 1

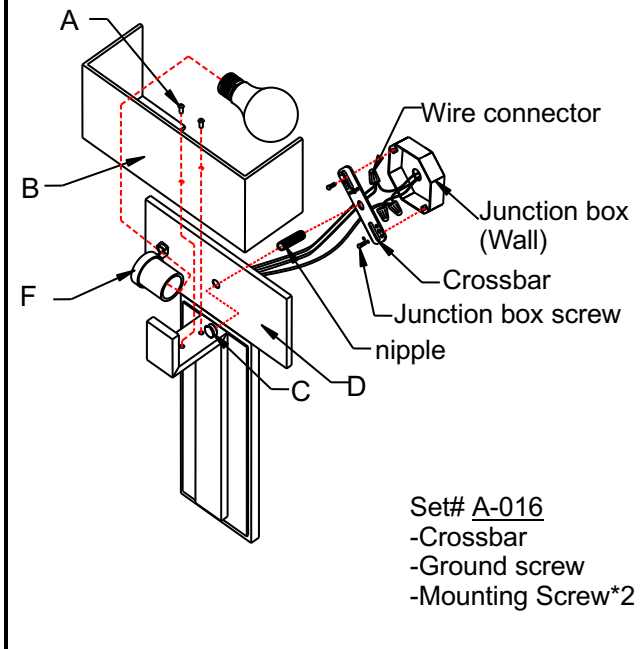
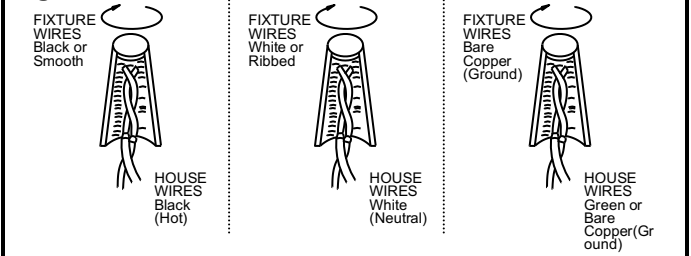


Fig. 2



IMPORTANT: FIXTURE SHOULD BE INSTALLED BY A QUALIFIED ELECTRICIAN TO ENSURE PROPER WIRING AND INSTALLATION.

MIN 90°C SUPPLY CONDUCTORS

